

ITL STAINLESS STEEL TENSION LINK LOAD CELL (U.S. & METRIC)

DESCRIPTION

The Interface series ITL Tension Link Load Cell has been designed for lifting and weighing in rugged or harsh environments and is manufactured entirely from stainless steel.

The ITL series products are simple to install and are matched to standard shackle sizes. ITL series tension link load cells are normally supplied with a MIL specification plug and socket, and are environmentally sealed to IP66.

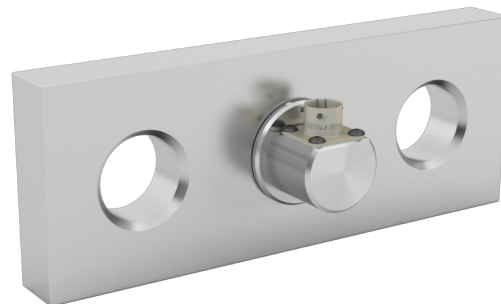
The ITL series can be supplied as shown in this data sheet, or can be modified to meet a particular application requirement. We are always pleased to discuss any special requirements that can be accommodated.

This product can be supplied on its own or combined with our extensive range of instrumentation to provide a complete load monitoring system.

SPECIFICATIONS

Rated Load	mt	5, 10, 20, 25 30, 40, 50, 100
	lbs	11K, 22K, 44.1K, 55K, 66K, 88.2K, 110K, 220K
ACCURACY – (MAX ERROR)		
Accuracy – %FS		< ±0.25
Non-repeatability – %FS		< ±0.04
TEMPERATURE		
Compensated Range	°C	-10 to +50
	°F	+14 to +122
Operating Range	°C	-20 to +70
	°F	-4 to +158
Zero Temperature Coefficient – %FS / °C		< ±0.01
Span Temperature Coefficient – %FS / °C		< ±0.01
ELECTRICAL		
Output – mV/V at %FS		1.3 at ±10
Bridge Resistance – Ohm		350
Excitation Voltage – VDC MAX		10 recommended, 15 MAX
Insulation Resistance – Megohm @ VDC		> 500 @ 500
MECHANICAL		
Safe Overload – %FS		150
Ultimate Breaking Load – %FS		> 300
6-Pin Connector LMG/1/07263/220 w/Dust Cap – Includes Mating Cable	m	5
	ft	16.4
Environmental Protection Level		IP66 (IP67 optional)
Wiring Connections		+ve supply: Red (A) -ve supply: Blue (B) +ve signal: Green (C) -ve signal: Yellow (D)
Material		Stainless steel

STANDARD CONFIGURATION



Model ITL-11K (Shown)

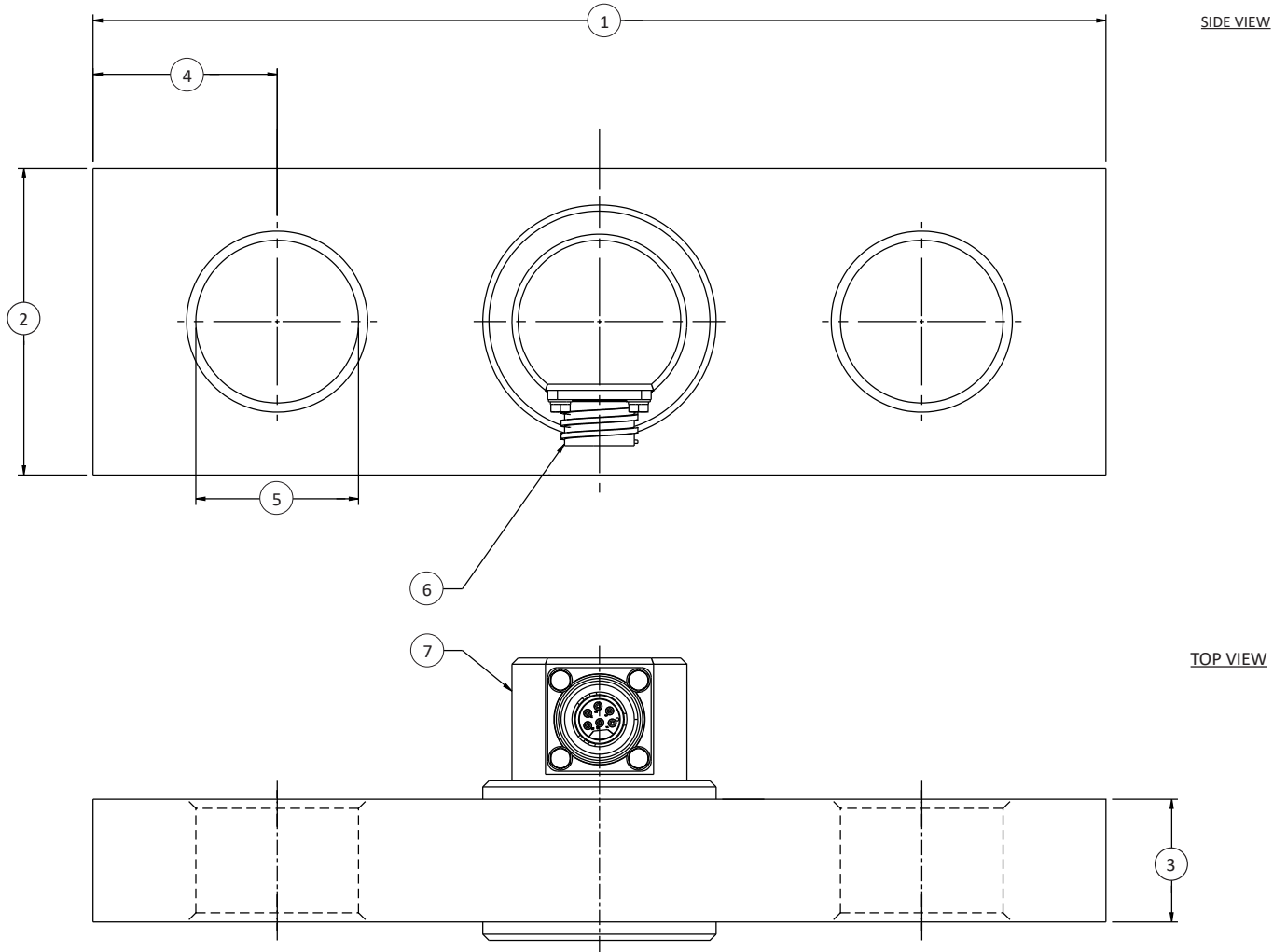
OPTIONS

- Special ranges and sizes available (including high ranges up to 3000K lbf)
- Custom designs
- Can be supplied complete with shackles
- Can be supplied with integral signal conditioning
- Optional carry kit
- Special electrical connectors
- ATEX version available

FEATURES AND BENEFITS

- Range: 11K to 220.4K lbf (5 to 100 mt)
- Stainless steel construction (17-4PH)
- Environmentally sealed to IP66 (IP67 available)

ITL STAINLESS STEEL TENSION LINK LOAD CELL (U.S. & METRIC)



DIMENSIONS

See Drawing	CAPACITY															
	Metric (mt)	U.S. (lbf)	Metric (mt)	U.S. (lbf)	Metric (mt)	U.S. (lbf)	Metric (mt)	U.S. (lbf)	Metric (mt)	U.S. (lbf)	Metric (mt)	U.S. (lbf)	Metric (mt)	U.S. (lbf)	Metric (mt)	U.S. (lbf)
	mm	in	mm	in	mm	in	mm	in	mm	in	mm	in	mm	in	mm	in
(1)	230	9.055	260	10.24	330	12.99	330	12.99	370	13.57	420	16.54	430	16.93	480	18.90
(2)	75	2.953	75	2.953	100	3.937	100	3.937	125	4.921	140	5.512	140	5.512	166	6.535
(3)	25	0.984	25	0.984	40	1.575	40	1.575	40	1.575	50	1.968	50	1.968	69	2.717
(4)	37.5	1.476	40	1.575	60	2.362	60	2.362	67.5	2.657	79	3.110	77.5	3.051	101	3.976
(5)	Ø27	Ø1.063	Ø38	Ø1.496	Ø53	Ø2.087	Ø53	Ø2.087	Ø59	Ø2.323	Ø72	Ø2.835	Ø72	Ø2.835	Ø84	Ø3.307
(6)	6-Pin Connector LMG/1/07263/220 w/Dust Cap															
(7)	Stainless Cap Assembly															
Weight	kg	2.5	3	7.5	7.5	12	15	18	37							
	lbs	0.098	0.118	0.295	0.295	0.472	0.591	0.709	1.457							