

FEATURES & BENEFITS

- High force in a compact design
- Environmentally sealed IP66
- Economical general purpose load cell
- High stiffness/low deflection
- Insensitive to off axis loading

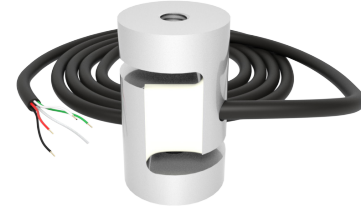
SPECIFICATIONS

Capacity	lbf	25	50	100	250	500	1K
	N	100	200	500	1K	2.5K	5K
ACCURACY – (MAX ERROR)							
Nonlinearity – %FS	±0.10						
Hysteresis – %FS	±0.10						
Nonrepeatability – %RO							
Static Error Band– %FS MAX							
Creep, in 20 min – % MAX	±0.05						
TEMPERATURE							
Compensated Range	°F	0 to +150					
	°C	-15 to +65					
Operating Range	°F	-65 to +200					
	°C	-55 to +90					
Effect on Output – % / °F	±0.0010						
Effect on Zero – %RO / °F	±0.0035						
ELECTRICAL							
Rated Output – mV/V (Nominal)	2.0 ±15%						
Zero Balance – %RO	±5.0						
Bridge Resistance – Ohm (Nominal)	350						
Excitation Voltage – VDC MAX	15						
Insulation Resistance – Megohm	5000						
MECHANICAL							
Deflection @ RO	in	0.001	0.002	0.001	0.002		
	mm	0.03	0.05	0.03	0.05		
Natural Frequency – Hz		4880	5500	5070	6200		
Calibration	Tension						
Safe Axial Load – %CAP MAX	150						
Weight	lb	0.05		0.1		0.26	
	kg	0.02		0.05		0.12	
Material	Anodized Aluminum			Stainless Steel			

OPTIONS

- High temperature version up to 150 °C
- Standardized output
- Submersible
- Fatigue rated (half output)
- Special calibrations (ISO 376, E74, 5 point)

STANDARD CONFIGURATION



Model SSC-25LBF (Shown)



Model SSC-250LBF (Shown)



Model SSC-500LBF (Shown)

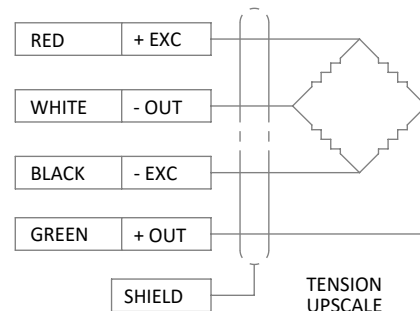
ACCESSORIES

- Pre-installed rod end bearings (See REB-104 for imperial & REB-204 for metric)

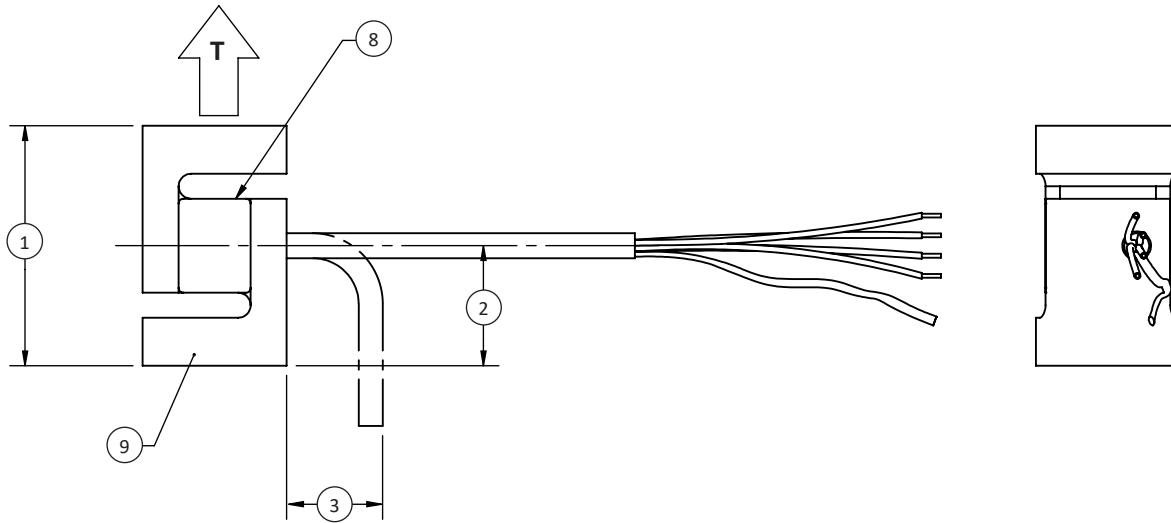
CONNECTOR OPTIONS

- 5 ft (1.5 m) integral cable

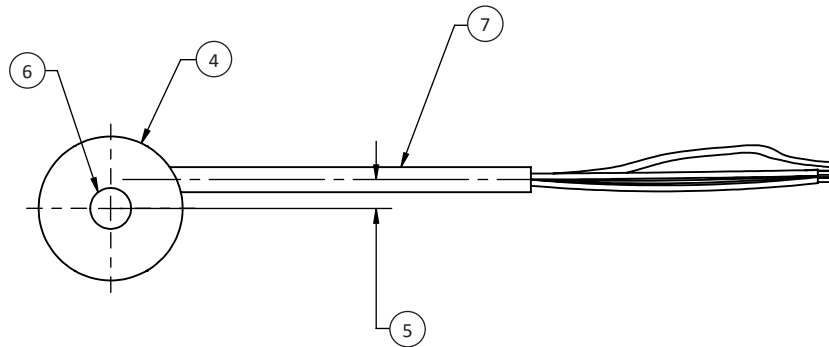
WIRING DIAGRAM



SIDE VIEW



TOP VIEW



Notes:
* T indicates tension load direction / primary axis

DIMENSIONS

See Drawing	CAPACITY					
	US (lbf)	Metric (N)	US (lbf)	Metric (N)	US (lbf)	Metric (kN)
	in	mm	in	mm	in	mm
(1)	1.25	31.8	1.25	31.8	1.63	41.3
(2)	0.63	15.9	0.63	15.9	0.81	20.6
(3)	0.50	12.7	0.50	12.7	0.50	12.7
(4)	∅0.75	∅19.1	∅0.75	∅19.1	∅1.00	∅25.4
(5)	0.15	3.8	0.15	3.8	0.17	4.4
(6)	¼-28 UNF-2B	M6 x 1-6H	¼-28 UNF-2B	M6 x 1-6H	⅜-24 UNF-2B	M8 X 1.25-6H
(7)	0.13 O.D. 4 Conductor 28 Gauge PVC Shielded Ultra-Flex Cable	3.3 O.D. 4 Conductor 28 Gauge PVC Shielded Ultra-Flex Cable	0.13 O.D. 4 Conductor 28 Gauge PVC Shielded Ultra-Flex Cable	3.3 O.D. 4 Conductor 28 Gauge PVC Shielded Ultra-Flex Cable	0.13 O.D. 4 Conductor 28 Gauge PVC Shielded Ultra-Flex Cable	3.3 O.D. 4 Conductor 28 Gauge PVC Shielded Ultra-Flex Cable
(8)	Silicone Potting					
(9)	Anodized Aluminum			Stainless Steel		