

Torque Sensor

DRW-K

Non rotating

active or passive-model

Torque ranges 0 - 0,5 Nm to 0 - 20.000 Nm

- fixed cable
- integrated 100%-control
- wide range of applications
- no maintenance or wear
- keyway optional



This torque sensor is designed for non-rotating (static) applications.

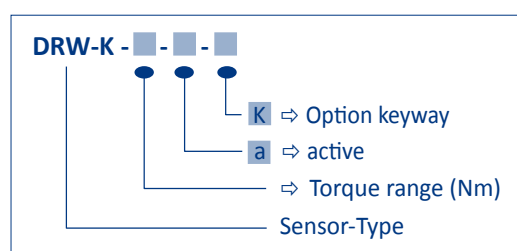
Both static and dynamic measurements can be taken.

The strain-gauge-based sensor outputs a standardized output signal in mV/V that is proportional to the torque.

As these transducers are non-rotating and hence have no moving parts, they require no maintenance and do not wear.

Also available as an active device when combined with the DMSVE amplifier unit.

Ordering code system

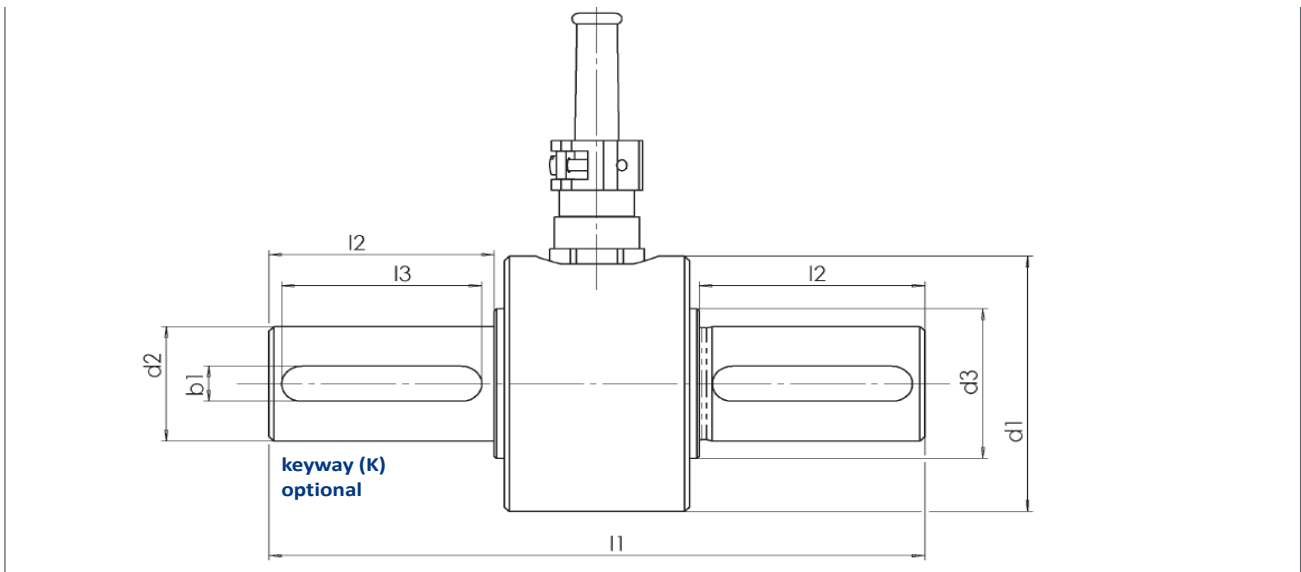


Available Accessories

Supply and display unit: GMV2
ValueMasterbase*
ValueView*

Couplings

* Only in combination with amplifier „DMSVE“



Mechanical Dimensions DRW-K

Torque Ranges: (0-... Nm)		l1	l2	l3 (optional)	d1	d2	d3	b1 (optional)
0,5 1	Nm	47	10	–	24	8	12	–
2 5 10	Nm	58	12	8	38	12	18	4
15 20	Nm	74	20	16	38	12	18	4
50	Nm	104	35	28	50	18	26	6
100 200	Nm	131	45	40	58	26	34	8
500 1000	Nm	168	60	–	77	45	58	–
2 3 4 5	kNm	264	110	–	98	70	–	–
10 15 20	kNm	285	115	–	138	110	–	–

General tolerances DIN 2768-m

Electrical Specifications DRW-K

Supply voltage:	12 V DC max.
Current consumption:	35 mA max.
Measurement signal:	1 mV / V (± 0,25 %)
Nonlinearity:	< 0,1 %
Hysteresis:	< 0,1 %
Deviation at zero point:	≤ ± 0,01 mV/V
Internal resistance:	350 Ω nominal
Compensated temperature range:	5 - 45 °C
Operating temperature:	0 - 60 °C
Temperature error	
Zero point:	0,02 % / K
Sensitivity:	0,01 % / K
Mechanical overload:	100 %
Internal protection:	IP40
Connection:	6pin-connector, coupling plug is included
Cable length:	2,5 m
Factory calibration right-/left load in 25% steps. Special calibration on request.	