

Non-Contact Displacement
Sensors for Ferromagnetic
Materials

Advanced Magnetic Sensing

Position

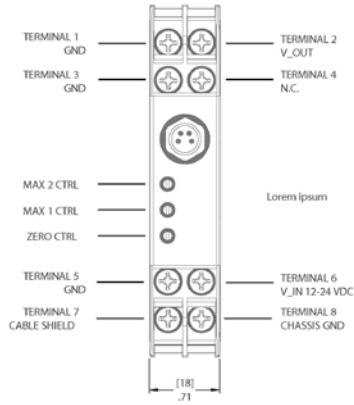
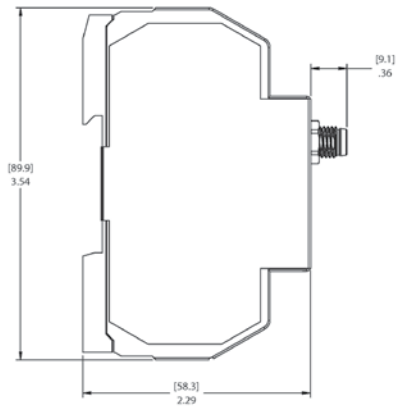
Distance

Runout



- ***Detects Through Non-magnetic Barriers***
- ***Operating Pressures 500 psi - 30,000 psi***
- ***No External Magnet Required***
- ***Standard Sensing Range 1 - 5 mm***
- ***Extended Sensing Range to 9 mm***
- ***Standard Cable Lengths 1 - 9 meters***
- ***Simple 2-step Calibration Procedure***
- ***IP67 Sensor Housing and Removable Cables***
- ***IP40 Electronics Enclosure; #3 DIN Rail Mount***
- ***All Welded Hermetic Custom Sensor Options***

AMS-3000



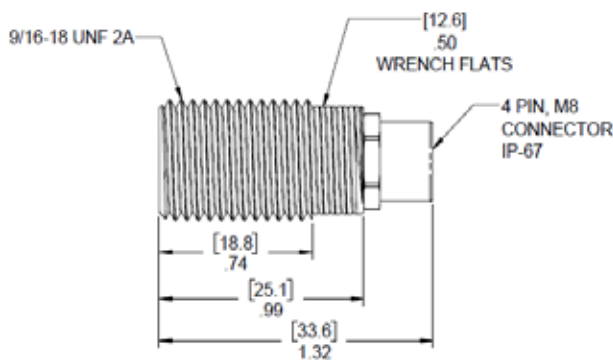
Electronics

Input	12 - 28 VDC (0.56W)
Output	0 -5 VDC Std; 0-10
Bandwidth	-3 dB @ 5 kHz
Resolution	> 0.2 mm
OpTemp	0 °C - 50 °C

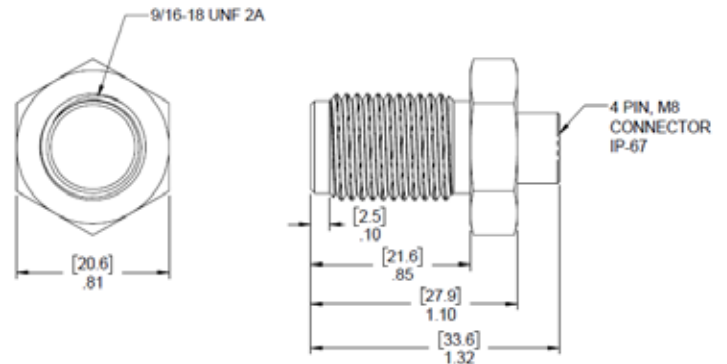
Sensors

Range	1 - 5mm standard
Offset	0.13mm min
Op Pressure	500 psi standard
Op Pressure	30,000 psi optional
Op Temp	0 °C - 80 °C

856030-001 Signal Conditioning Electronics



856035-001D Threaded Sensor



856036-001D Pressure Port

AMS Performance

AMS Series Typical Output and Resolution vs Range

