

1331 COMPRESSION-ONLY LOAD CELL (U.S. & METRIC)

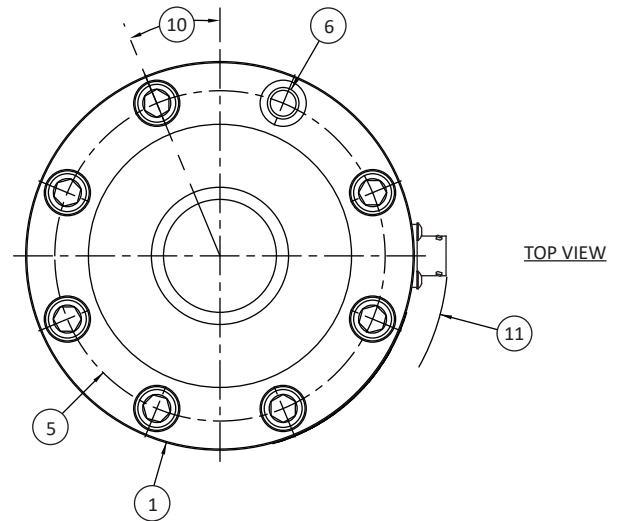
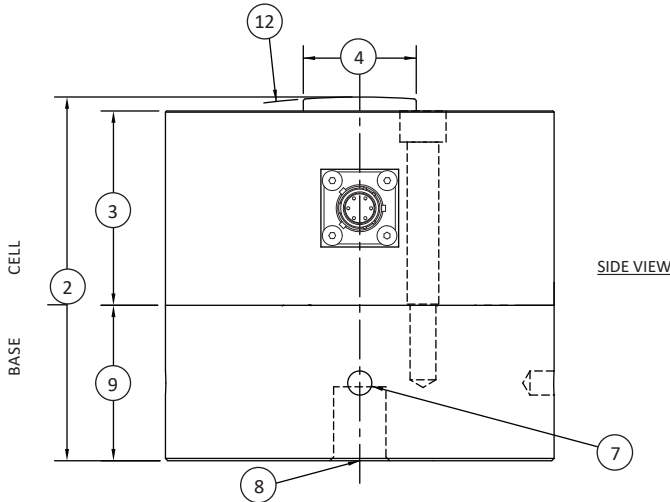
FEATURES & BENEFITS

- High output – 4 mV/V
- Proprietary Interface temperature compensated strain gages
- Small footprint
- Integral load button
- Eccentric load compensated
- 0.0008%/°F (0.0015%/°C) temp effect on output
- Barometric compensation

STANDARD CONFIGURATION



Model 1331FGT-100K-B (Shown)



DIMENSIONS

See Drawings	MODEL	
	1331	
	CAPACITY	
	U.S. (lbf)	Metric (kN)
	100K	450
	in	mm
(1)	Ø5.00	Ø127.0
(2)	4.68	118.9
(3)	2.50	63.5
(4)	Ø1.45	Ø36.9
(5)	Ø4.25	Ø108
(6)	Ø0.41 ↓ 2.1 □ Ø 0.59 ↓ 0.40	Ø10.3 ↓ 53.3 □ Ø15.0 ↓ 10.2
(7)	4x spaced 90 0.31 ↓ 0.31	4x spaced 90 7.9 ↓ 7.8
(8)	3/4-16 UNF-3B ↓ 1.00	
(9)	2.00	50.8
(10)	22.5°	
(11)	R 2.93	R 74.5
(12)	SR 10.0	SR 254

1331CO V2.2 01-27-2021

1331 COMPRESSION-ONLY LOAD CELL (U.S. & METRIC)

SPECIFICATIONS

ACCURACY – (MAX ERROR)		
Static Error Band – %FS		±0.07
Nonlinearity – %FS		±0.05
Hysteresis – %FS		±0.08
Non-repeatability – %RO		±0.01
Creep, in 20 min – %		±0.025
TEMPERATURE		
Compensated Range	°F	+15 to +115
	°C	-10 to +45
Operating Range	°F	-65 to +200
	°C	-55 to +90
Effect on Zero – % RO / deg	°F	±0.0008
	°C	±0.0015
Effect on Output – % / deg	°F	±0.0008
	°C	±0.0015
ELECTRICAL		
Rated Output – mV/V (Nominal)		4.0
Excitation Voltage – VDC MAX		20
Bridge Resistance – Ohm (Nominal)		350
Zero Balance – %RO		±1.0
Insulation Resistance – Megaohm		5000 @ 50 VDC
MECHANICAL		
Safe Overload – %CAP		+150
Deflection @ RO	in	0.003
	mm	0.0762
Weight	lbs	21.971
	kg	9.965
Material		Alloy steel
Seal		Environmental

OPTIONS

- Base (recommended)
- Connector protection
- Standardized output
- Transducer Electronic Data Sheet (TEDS)
- Custom calibration
- Multiple bridge
- Special threads
- Dual diaphragm
- Special temperature range

CONNECTOR OPTIONS

- PT02E-10-6P bayonet connector
- PC04E-10-6P screw-type connector

ACCESSORIES

- Mating connector
- Mating cable
- Instrumentation
- Loading hardware

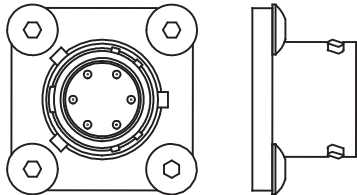
International System of Units (SI) dimensions and capacities are provided for conversion only. Standard products have U.S. capacities and dimensions. SI capacities available upon special request and at an additional cost.

1331 COMPRESSION-ONLY LOAD CELL (U.S. & METRIC)

BAYONET CONNECTOR



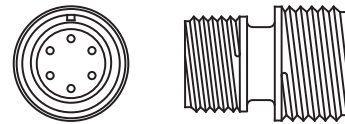
Model 1331FGT-100K-B (Shown)



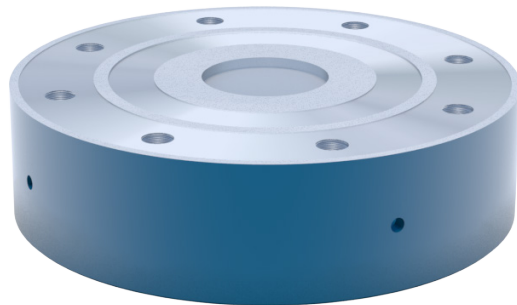
SCREW TYPE CONNECTOR



Model 1331EGJ-100K-B (Shown)



BASE



Model 19354 (Shown)