

# Power Take-Off Torque Transducer

## Model PTO2

- Measures torque and speed of PTO shaft
- Integrated slip ring and encoder system
- Rugged construction
- Weatherproof
- Pre-calibrated
- Cost effective design



## Description

The Michigan Scientific *PTO2 Torque Transducer* is designed to measure the torque and speed of a power take-off (PTO) shaft with no modifications to the machine or implement. The *PTO2 Torque Transducer's* female spline mates directly to the machine's PTO shaft and the Transducer's male spline mates directly with the implement. Both splines contain locking mechanisms to keep the Transducer in place. The *PTO2* can be made in various PTO standard sizes.

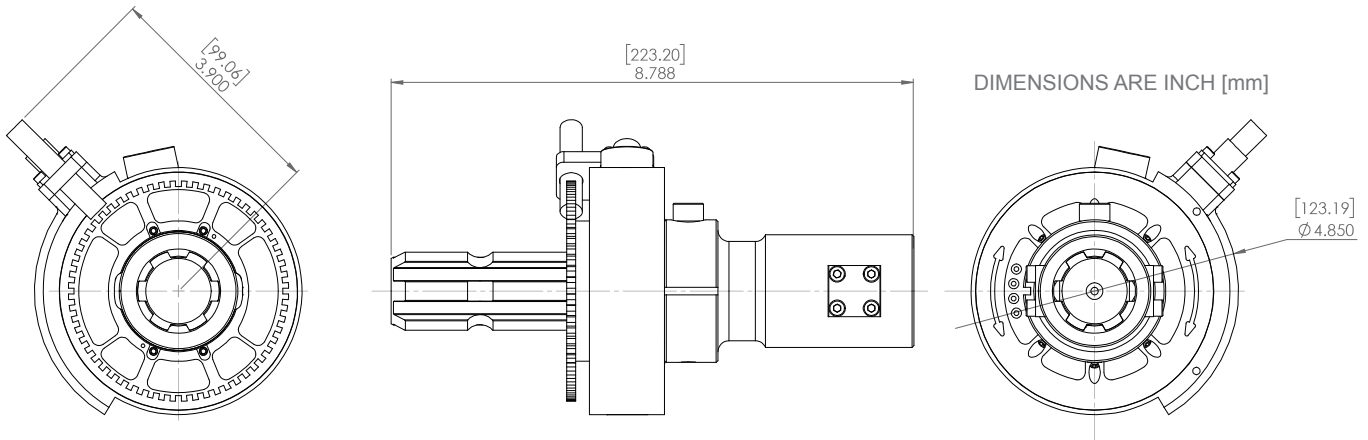
The transducer has an integrated *B4-2W/E60 Slip Ring* and encoder system. The full bridge strain gauge signals are transmitted across the instrument quality slip ring while a hall effect sensor and mounted tone wheel provide a 60 pulse per revolution speed signal.

There are several options available for *PTO2* depending on your application and budget. The *B4 Slip Ring* is available in a weatherproof or non-weatherproof version and is also available with or without the encoder system. Signal conditioning with analog output and a display is also available by adding the Michigan Scientific *Transducer Display Module (TDM)*.

# Power Take-Off Torque Transducer

## Specifications

Full Scale Torque, 1 3/8" splines	± 1,850 lb-ft (2,500 N·m)
Full Scale Torque, 1 3/4" splines	± 3,750 lb-ft (5,000 N·m)
Nonlinearity	± 0.5% of full scale
Hysteresis	± 0.5% of full scale
Speed Signal	60 ppr hall effect
Torque Sensor Type	350 Ω full strain gauge bridge
Sizes	1 3/8"-6 1 3/8"-21 1 3/4"-6 1 3/4"-20
Weight *For 1 3/8" spline type	8.2 lb (3.7 kg)



Dimensions shown for 1 3/8"-6



8500 Ance Road  
Charlevoix, MI 49720  
Tel: 231-547-5511  
Fax: 231-547-7070  
09-7-21  
Rev. A

**MICHIGAN SCIENTIFIC**  
corporation

<http://www.michsci.com>  
Email: [mscinfo@michsci.com](mailto:mscinfo@michsci.com)

321 East Huron Street  
Milford, MI 48381  
Tel: 248-685-3939  
Fax: 248-685-5406