

**3 torque ranges from  $\pm 0 - 0,2$  up to  $\pm 0 - 1$  Nm  
for static applications**

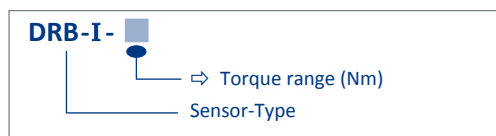
### Features DRB-I

- insensitive by axial and radial forces
- no maintenance needed
- single supply voltage
- suitable for very low torques
- integrated overload protection



This transducer is designed for static, non-rotating torque measurement. It can resist axial and radial forces. It outputs a high signal even at low torques.

### Ordering code system



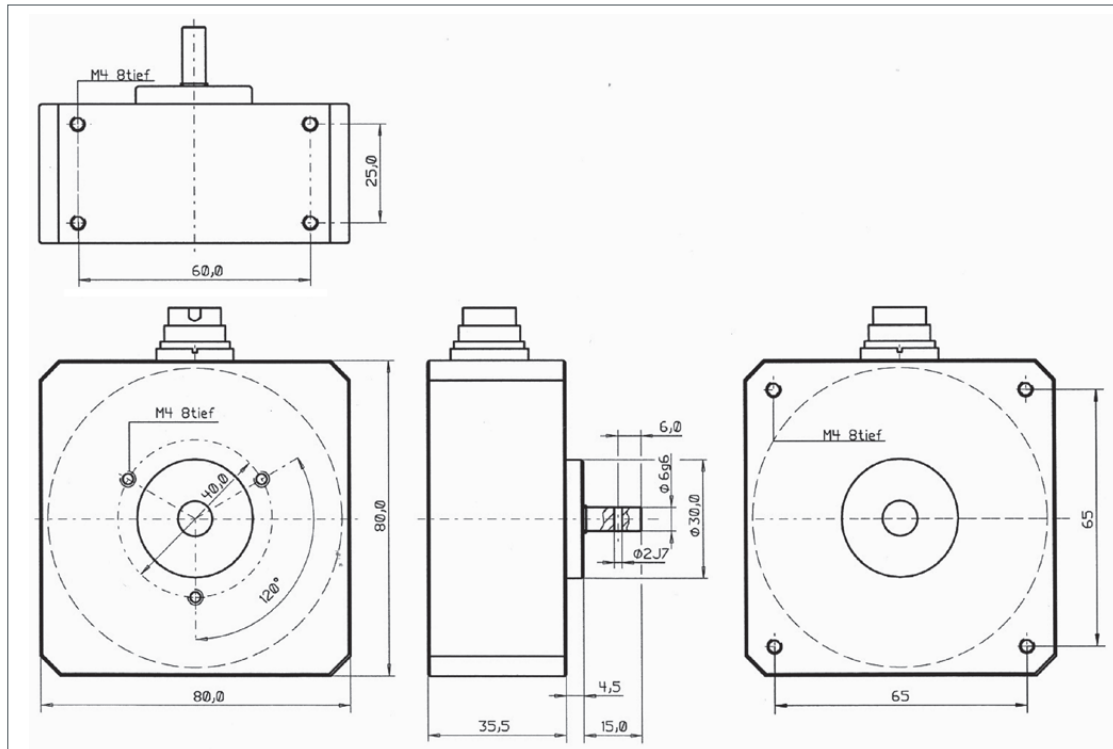
### Available Accessories

Supply and display unit: GMV2  
ValueMaster<sub>base</sub>\*  
ValueView\*

Cables  
Couplings

\* Only in combination with amplifier „DMSVE“

**Mechanical Dimensions DRB-I**



**Electrical Specifications DRB-I**

Torque ranges: (± 0 - ... Nm)	0,2   0,5   1
Supply voltage:	12 V max.
Power consumption:	35 mA max.
Voltage output:	2 mV / V
Nonlinearity:	0,15 %
Hysteresis:	0,1 %
Deviation at zero point:	≤ ± 0,02 mV/V
Internal resistance::	350 Ω nominal
Compensated temperature range:	5 - 45 °C
Operating temperature:	0 - 60 °C
Temperature error	
Zero point:	0,02 % / K
Sensitivity:	0,01 % / K
Mechanical overload:	0,2 Nm: 400 % 0,5 Nm: 200 % 1 Nm: 100 %
Load rating:	axial 25 N radial 50 N
Weight:	approx. 600 g
Internal protection:	IP40
Connection:	6pin-connector
Calibration:	Works certificate with 25% steps cw and ccw. Other calibrations upon request.