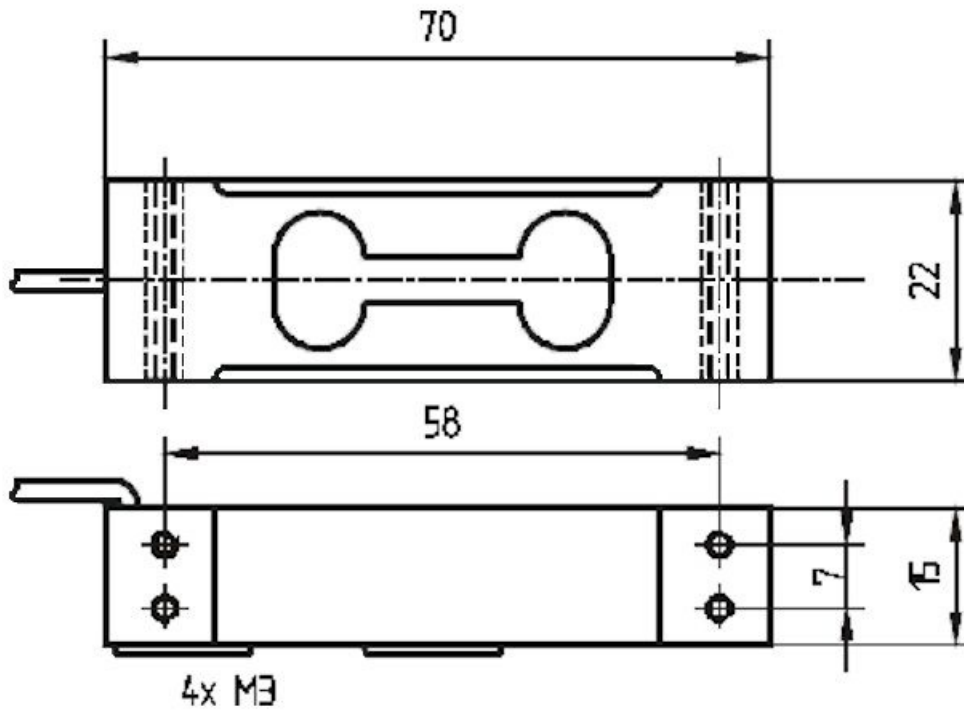


LCB70 2kg



Description

Dimensions



Technical Data

Force sensor

Type	load cell
Force direction	Compression
Rated force F _x	2 kg
Material	Aluminium alloy
Breaking force	300 %F _s

Electrical Data

Input resistance	400 Ohm
Tolerance input resistance	20 Ohm
Output resistance	350 Ohm
Tolerance output resistance	3.5 Ohm
Insulation resistance	2 GOhm
Rated range of excitation voltage f	2.5 ... 5 V
Operating range of excitation voltage f	1 ... 10 V
Zero signal	10 %F _s
Rated output	2 mV/V
relative error of characteristic value	0.1 mV/V

Precision

Accuracy class	0,1%
Temperature effect on zero signal	0.1 % F _s / 10°C
Temperature effect on characteristic value	0.03 % R _d / 10°C
Relative creep	0.05 %R _d

Connection Data

Connection type	4 conductor open
Cable length	0.4 m

Temperature

Rated temperature range f	-10 ... 40 °C
Operating temperature range f	-30 ... 70 °C
Storage temperature range f	-30 ... 70 °C
Environmental protection	IP66

Technical Data

Force sensor

Type	load cell
Force direction	Compression
Rated force F _x	5 kg
Material	Aluminium alloy
Breaking force	300 %F _s

Electrical Data

Input resistance	400 Ohm
Tolerance input resistance	20 Ohm
Output resistance	350 Ohm
Tolerance output resistance	3.5 Ohm
Insulation resistance	2 GOhm
Rated range of excitation voltage f	2.5 ... 5 V
Operating range of excitation voltage f	1 ... 10 V
Zero signal	10 %F _s
Rated output	2 mV/V
relative error of characteristic value	0.1 mV/V

Precision

Accuracy class	0,1%
Temperature effect on zero signal	0.1 % F _s / 10°C
Temperature effect on characteristic value	0.03 % R _d / 10°C
Relative creep	0.05 %R _d

Connection Data

Connection type	4 conductor open
Cable length	0.4 m

Temperature

Rated temperature range f	-10 ... 40 °C
Operating temperature range f	-30 ... 70 °C
Storage temperature range f	-30 ... 70 °C
Environmental protection	IP66






Pin Configuration

Symbol	Description	Wire colour
+Us	positive bridge supply	green
-Us	negative bridge supply	black
+Ud	positive bridge output	red
-Ud	negative bridge output	white

Shield- transparent.

accessories

Description	Description
	GSV-15KL4 Junction box with measuring amplifier for sensors with strain gauges. Analogue output ± 10 Volt and 4...20 mA configurable.
	KL4 CG clamping box for parallel connection of 4 sensors, dimensions: 175mm x 105mm x 60mm, 4xPG9, 7-pole
	KL4 M12 clamping box for parallel connection of 4 sensors, dimensions: 175mm x 105mm x 60mm, 4xM12 female, 1xM12 male