

TIPS® P603 LARGE ANGLE TILT SENSOR

High-resolution tilt feedback for industrial and scientific applications

- **Non-contacting inductive technology to eliminate wear**
- **Angle set to customer's requirement**
- **Compact and self-contained**
- **High durability and reliability**
- **High accuracy and stability**
- **Sealing to IP67**



As a leading designer and manufacturer of linear, rotary, tilt and intrinsically safe position sensors, Positek® has the expertise to supply a sensor to suit a wide variety of applications.

Our P603 TIPS® (Tilt Inductive Position Sensor) is an affordable, durable, high-accuracy tilt sensor designed for industrial and scientific feedback applications. The P603, like all Positek® sensors, is supplied with the output calibrated to the angle required by the customer, between 15 and 160 degrees and with full EMC protection built in. The sensor provides a linear output proportional with the rotation of the sensor. There is a machined registration mark to identify the calibrated mid point.

It is particularly suitable for OEMs seeking good sensor performance for arduous applications such as industrial machinery where cost is important.

Overall performance, repeatability and stability are outstanding over a wide temperature range. Electrical connections to the sensor are made via an industrial standard 4-pin M12 connector, with limited rotational capability to facilitate cable routing.

The sensor has a rugged stainless steel body and anodised aluminium mounting flange. The flange has two 4.5mm by 30 degree wide slots on a 48mm pitch to simplify mounting and position adjustment. The P603 offers a range of electrical options. Environmental sealing is to IP67.

SPECIFICATION

Dimensions	
Body diameter	35 mm, Flange 60mm
Body Length (to seal face)	44 mm standard, 50 mm buffered
For full mechanical details see drawing P603-11	
Independent Linearity/Hysteresis (combined error)	< ± 0.25° - up to 100°
Temperature coefficients	< ± 0.01%/°C Gain & < ± 0.01%FS/°C Offset
Response Time	250 mS @ 20°C typ.
Resolution	Infinite
Damping Ratio	0.2 : 1 (0.6 nom. @ 25°C)
Noise	< 0.02% FSO
Environmental Temperature Limits	
Operating	-20°C to +85°C all output options
Storage	-40°C to +125°C
Sealing	IP67
EMC Performance	EN 61000-6-2, EN 61000-6-3
Vibration	IEC 68-2-6: 10 g
Shock	IEC 68-2-29: 40 g
MTBF	350,000 hrs 40°C Gf
Drawing List	
P603-11	Sensor Outline
Drawings, in AutoCAD® dwg or dxf format, available on request.	

Do you need a position sensor made to order to suit a particular installation requirement or specification? We'll be happy to modify any of our designs to suit your needs - please contact us with your requirements.



TIPS® P603 LARGE ANGLE TILT SENSOR

High-resolution tilt feedback for industrial and scientific applications

How Positek's PIPS® technology eliminates wear for longer life

Positek's **PIPS®** technology (Positek Inductive Position Sensor) is a major advance in displacement sensor design. PIPS®-based displacement transducers have the simplicity of a potentiometer with the life of an LVDT/RVDT.

PIPS® technology combines the best in fundamental inductive principles with advanced micro-electronic integrated circuit technology. A PIPS® sensor, based on simple inductive coils using Positek's ASIC control technology, directly measures absolute position giving a DC analogue output signal. Because there is no contact between moving electrical components, reliability is high and wear is eliminated for an exceptionally long life.

PIPS® overcomes the drawbacks of LVDT technology – bulky coils, poor length-to-stroke ratio and the need for special magnetic materials. It requires no separate signal conditioning.

Our LIPS® range are linear sensors, while RIPS® are rotary units and TIPS® are for detecting tilt position. Ask us for a full technical explanation of PIPS® technology.

We also offer a range of ATEX-qualified intrinsically-safe sensors.

TABLE OF OPTIONS

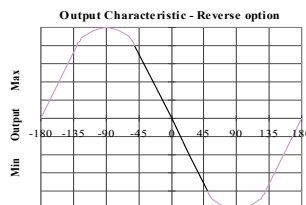
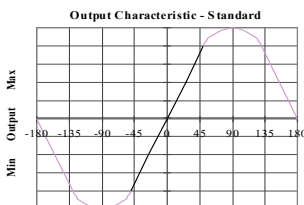
CALIBRATED TRAVEL: Factory-set to any angle from $\pm 7.5^\circ$ to $\pm 80^\circ$ in increments of 1° .

ELECTRICAL INTERFACE OPTIONS

OUTPUT SIGNAL	SUPPLY INPUT	OUTPUT LOAD
Standard: 0.5-4.5V dc ratiometric	+5V dc nom. \pm 0.5V.	5k Ω min.
Buffered: 0.5-4.5V dc	+24V dc nom. + 9-28V.	5k Ω min.
\pm 5V dc	\pm 15V dc nom. \pm 9-28V.	5k Ω min.
0.5-9.5V dc	+24V dc nom. + 13-28V.	5k Ω min.
\pm 10V dc	\pm 15 V dc nom. \pm 13.5-28V.	5k Ω min.
Supply Current	10mA typical, 20mA maximum.	
4-20mA (2 wire)	+24 V dc nom. + 18-28V.	300 Ω @ 24V.
(3 wire sink)	+24 V dc nom. + 13-28V.	950 Ω @ 24V.
(3 wire source)	+24 V dc nom. + 13-28V.	300 Ω max.

CONNECTOR

Connector - Hirschmann ELWIKA 4102 IP67



TIPS® SERIES P603 Large Angle Tilt Sensor

a	b	c	d	e
P603	Displacement	Output	Y	J
				Z-code

a Displacement (degrees)		Value
Displacement in degrees	e.g. 0 - 54 degrees	54
b Output		Code
Supply V dc V _s (tolerance)	Output	Code
+5V (4.5 - 5.5V)	0.5 - 4.5V (ratiometric with supply)	A
±15V nom. (±9 - 28V)	±5V	B
+24V nom. (13 - 28V)	0.5 - 9.5V	C
±15V nom. (±13.5 - 28V)	±10V	D
+24V nom. (18 - 28V)	4 - 20mA 2 wire	E
+24V nom. (13 - 28V)	4 - 20mA 3 wire Sink	F
+24V nom. (9 - 28V)	0.5 - 4.5V	G
+24V nom. (13 - 28V)	4 - 20mA 3 wire Source	H
c Calibration Adjustments		Code
Sealed		Y
d Connections		Code
Connector	IP67 M12 IEC 60947-5-2	J
e Z-code		Code
Connector with cable option 'J' with length required in cm i.e. J500 specifies connector with 500cm of cable.		Z999



Installation Information

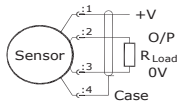
TIPS[®] P603 LARGE ANGLE TILT SENSOR

Output Option	Output Description:	Supply Voltage: V_s (tolerance)	Load resistance: (include leads for 4 to 20mA O/Ps)
A	0.5 - 4.5V (ratiometric with supply)	+5V (4.5 - 5.5V)	$\geq 5k\Omega$
B	$\pm 5V$	$\pm 15V$ nom. ($\pm 9 - 28V$)	$\geq 5k\Omega$
C	0.5 - 9.5V	+24V nom. (13 - 28V)	$\geq 5k\Omega$
D	$\pm 10V$	$\pm 15V$ nom. ($\pm 13.5 - 28V$)	$\geq 5k\Omega$
E	4 - 20mA 2 wire Current Loop	+24V nom. (18 - 28V)	$\approx 0 - 300\Omega$ max. @24V ~ 1.2 to 6V across 300 Ω $\{R_L \text{ max.} = (V_s - 18) / 20^{-3}\}$
F	4 - 20mA 3 wire Sink	+24V nom. (13 - 28V)	$\approx 0 - 950\Omega$ max. @24V ~ 3.8 to 19V across 950 Ω $\{R_L \text{ max.} = (V_s - 5) / 20^{-3}\}$
G	0.5 - 4.5V	+24V nom. (9 - 28V)	$\geq 5k\Omega$
H	4 - 20mA 3 wire Source	+24V nom. (13 - 28V)	$\approx 0 - 300\Omega$ max. ~ 1.2 to 6V across 300 Ω

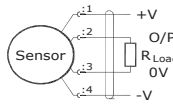
Connector Pin Layout:
IEC 60947-5-2



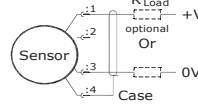
'A', 'C', 'G' & 'H'



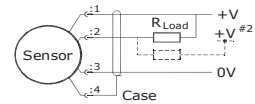
'B' & 'D'



'E'



'F'



$V\#2 = +5 - +28V$

Mechanical Mounting: Flange mounted, flange slots are 4.5mm by 30 degrees wide on a 48mm pitch. The mid point of the calibrated range is set with the flange slots in the vertical plane, mechanical mid point adjustment is achieved by rotating the sensor in the flange slots.

Note: the sensor should be mounted on a vertical face.

Output Characteristic: The sensor has full rotational freedom and two sectors, 180° apart, over which linear response can be achieved. At the mid point of the calibrated range the output signal will be half full scale deflection, and the mounting flanges will be vertical. In the calibrated range the output increases as the sensor is rotated in an anti-clockwise direction viewed from the flange face- see drawing above. The calibrated output is factory set to be between 15 and 160°.

Warning - The M12 IEC 60947 connector may be rotated for purposes of convenient orientation of the connector and cable, however rotating the connector more than one complete revolution is not recommended.

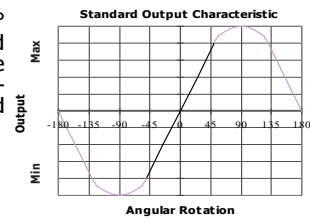
Repeated rotation of the connector will damage the internal wiring!

Incorrect Connection Protection levels:-

- A **Not protected** – the sensor is **not** protected against either reverse polarity or over-voltage. The risk of damage should be minimal where the supply current is limited to less than 50mA.
- B & D Supply leads diode protected. Output must not be taken outside $\pm 12V$.
- C & G Supply leads diode protected. Output must not be taken outside 0 to 12V.
- E, F & H Protected against any misconnection within the rated voltage.



Direction of increasing output in calibrated sector



For further information please contact:
www.positek.com sales@positek.com
Tel: +44(0)1242 820027 fax: +44(0)1242 820615
Positek Ltd, Andoversford Industrial Estate, Cheltenham GL54 4LB. U.K.



N.b. CONNECTOR ORIENTATION NOT GUARANEED.

ELECTRICAL OPTIONS/ SPECIFICATIONS

OUTPUT OPTION	OUTPUT	SUPPLY	
A	0.5 TO 4.5V RATIO-METRIC	5V	STANDARD
B	±5V	±15V	
C	0.5 TO 9.5V	24V	BUFFERED
D	±10V	±15V	
E	0.5 TO 4.5V	24V	
F	SUPPLY CURRENT 12mA TYP. 20mA MAX.		
G	4 TO 20mA 2-WIRE	24V	
H	4 TO 20mA 3-WIRE SINK	24V	
		24V	

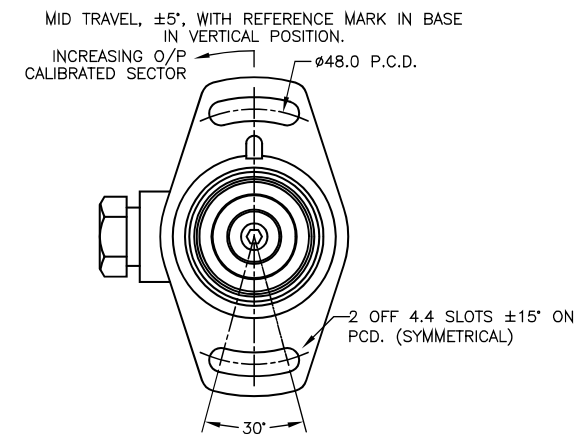
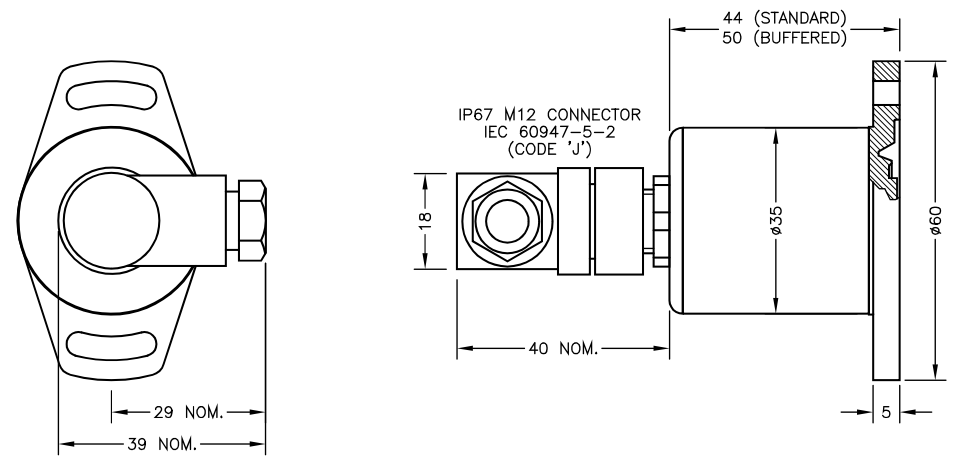
SINK VERSION OUTPUT COMPLIANCE 5-28V
SOURCE VERSION DRIVE 300Ω MAX TO 0V

CONNECTOR (MAXIMUM CONDUCTOR CROSS SECTION 0.75mm²)

- :1 +Ve
- :3 0V
- :4 -Ve - OPTIONS: B OR D
- :2 OUTPUT
- :4 BODY - OPTIONS: A, C, E-H

RANGE OF DISPLACEMENT FROM 0-15° TO 0-160° e.g.76°, IN INCREMENTS OF 1°.

BODY MATERIAL:- STAINLESS STEEL.
FLANGE BASE MATERIAL:- ALUMINIUM.

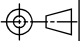
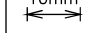


A	FIRST ISSUE	RDS
B	NOTES EXPANDED.	PDM
C	FLANGE TH'KNNESS ADDED.	PDM
D	ADDITIONAL DIMS/VIEWS ADDED.	PDM
E	DISP. 15 TO 160° WAS 20 TO 160° RAN442.	PDM
F	REGISTRATION MARK CORRECTED RAN490.	PDM
G	RANGE NOTE AMENDED ~ RAN1200	PDM



DRAWINGS NOT TO BE CHANGED WITHOUT REFERENCE TO THE CHANGE PROCEDURE.
CHANGES TO PARTS USED IN INTRINSICALLY SAFE PRODUCT MUST BE APPROVED BY THE AUTHORISED PERSON
THIS IS AN UNCONTROLLED PRINT AND WILL NOT BE UPDATED.



A	27/10/03	 CHECKED BY RDS	X	±0.4
B	19/10/06		X.X	±0.2
C	05/01/10		X.XX	±0.1
D	06/07/11	DESCRIPTION		
E	20/11/13	TIPS P603		
F	14/04/14	LARGE ANGLE TILT SENSOR		
G	13/09/17			
SCALE 10mm		DRAWING NUMBER P603-11	REV	G
			SHEET 1 OF 1	

RIPS® X500 ROTARY SENSOR INTRINSICALLY SAFE FOR HAZARDOUS GAS/VAPOUR ATMOSPHERES

- **Intrinsically safe for Gas to: Ex II 1G**
- **Non-contacting inductive technology to eliminate wear**
- **Angle set to customer's requirement**
- **Compact and self-contained**
- **High durability and reliability**
- **High accuracy and stability**
- **Sealing to IP67**



As a leading designer and manufacturer of linear, rotary, tilt and intrinsically safe position sensors, Positek® has the expertise to supply a sensor to suit a wide variety of applications.

Our X603 TIPS® (Tilt Inductive Position Sensor) incorporates electronics system EX07 which is ATEX / IECEx approved for use in potentially explosive **gas/vapour** atmospheres. The X603 is designed for industrial and scientific feedback applications and is ideal for OEMs seeking good sensor performance for arduous applications in hazardous areas. The X603, like all Positek® sensors, is supplied with the output calibrated to the angle required by the customer, between 16 and 160 degrees and with full EMC protection built in. The sensor provides a linear output proportional with the rotation of the sensor. There is a machined registration mark to identify the calibrated mid point.

Overall performance, repeatability and stability are outstanding over a wide temperature range. Electrical connections to the sensor are made via an industrial standard 4-pin M12 connector, with limited rotational capability to facilitate cable routing.

The sensor has a rugged stainless steel body. The flange has two 4.5mm by 30 degree wide slots on a 48mm pitch to simplify mounting and position adjustment. Environmental sealing is to IP67.

SPECIFICATION

Dimensions	
Body Diameter	35 mm, Flange 60 mm
Body Length (to seal face)	44 mm
For full mechanical details see drawing X603-11	
Power Supply	+5V dc nom. ± 0.5V, 10mA typ 20mA max
Output Signal	0.5-4.5V dc ratiometric, Load: 5kΩ min.
Independent Linearity/Hysteresis	
(combined error)	< ± 0.25% - up to 100°
Temperature Coefficients	< ± 0.01%/°C Gain & < ± 0.01%FS/°C Offset
Response Time	250 mS @ 20°C typ.
Resolution	Infinite
Damping Ratio	0.2 : 1 (0.6 nom. @ 25°C)
Noise	< 0.02% FSO
Intrinsic Safety	Ex II 1G Ex ia IIC T4 Ga (Ta= -40°C to 80°C)
Approval only applies to the specified ambient temperature range and atmospheric conditions in the range 0.80 to 1.10 Bar, oxygen ≤ 21%	
Sensor Input Parameters	Ui: 11.4V, Ii: 0.20A, Pi: 0.51W.
(without cable)	Ci: 1.16µF, Li: 50µH
(with cable)	Ci: 1.36µF, Li: 860µH with 1km max. cable
Environmental Temperature Limits	
Operating	-20°C to +80°C
Storage	-40°C to +125°C
Sealing	IP67
EMC Performance	EN 61000-6-2, EN 61000-6-3
Vibration	IEC 68-2-6: 10 g
Shock	IEC 68-2-29: 40 g
MTBF	350,000 hrs 40°C Gf
Drawing List	
X603-11	Sensor Outline
Drawings, in AutoCAD® dwg or dxf format, available on request.	

Do you need a position sensor made to order to suit a particular installation requirement or specification? We'll be happy to modify any of our designs to suit your needs - please contact us with your requirements.



TIPS® X603 LARGE ANGLE TILT SENSOR
INTRINSICALLY SAFE FOR HAZARDOUS GAS/VAPOUR ATMOSPHERES

Intrinsically safe equipment is defined as "equipment which is incapable of releasing sufficient electrical or thermal energy under normal or abnormal conditions to cause ignition of a specific hazardous atmosphere mixture in its most easily ignited concentration."

ATEX / IECEx approved to;
Ex II 1G
Ex ia IIC T4 Ga (Ta = -40°C to +80°C)

Designates the sensor as belonging to; Group II: suitable for all areas **except mining**, Category 1 G: can be used in areas with continuous, long or frequent periods of exposure to hazardous gas (Zone 0).

Protection class ia, denotes intrinsically safe for all zones
Apparatus group IIC: suitable for IIA to IIC explosive gas.
Temperature class T4: maximum surface temperature under fault conditions 135°C.
Ambient temperature range extended to -40°C to +80°C.

It is imperative Positek® intrinsically safe sensors be used in conjunction with a galvanic barrier to meet the requirements of the product certification. The Positek X005 Galvanic Isolation Amplifier is purpose made for Positek IS sensors making it the perfect choice. Refer to the X005 datasheet for product specification and output configuration options.

Safety Parameters:-

Ui: 11.4V, Ii: 0.20A, Pi: 0.51W
Ci = 1.36µF* Li = 860µH* (with cable)
Ci = 1.16µF Li = 50µH (without cable)

*Figures for 1km cable where: Ci = 200pF/m & Li = 810nH/m

Sensors can be installed with a maximum of 1000m of cable.

Cable characteristics must not exceed:-
Capacitance: ≤ 200 pF/m for max. total of: 200 nF.
Inductance: ≤ 810 nH/m for max. total of: 810 µH

For cable lengths exceeding 10 metres a five wire connection is recommended to eliminate errors introduced by cable resistance and associated temperature coefficients.

ATEX / IECEx approved sensors suitable for dust (E series) and mining (M series) applications, are also available from Positek.

TABLE OF OPTIONS

CALIBRATED TRAVEL: Factory-set to any angle from ±7.5° to ±80° in increments of 1°.

Full 360° Mechanical rotation.

ELECTRICAL INTERFACE OPTIONS

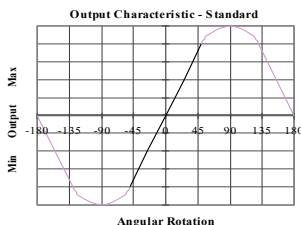
The Positek® X005 Galvanic Isolation Amplifier is available with the following output options;

Standard: 0.5 - 9.5V or 4 - 20mA.
Reverse: 9.5 - 0.5V or 20 - 4mA.

CONNECTOR

Connector - Hirschmann ELWIK A 4102 IP67

We recommend all customers refer to the 3 or 5-Wire Mode Connection page.





Three or Five-Wire Mode Connection FOR INTRINSICALLY SAFE SENSORS IN HAZARDOUS ATMOSPHERES

The aim of this document is to help readers who do not understand what is meant by three or five wire modes of connection between the galvanic isolation amplifier and sensor, and the factors behind them. It is by no means an in-depth technical analysis of the subject.

Whether opting for a pre-wired Positek® Intrinsicly Safe sensor or one with a connector, choosing the right mode of connection and cable to suit the application requires careful consideration.

Interconnecting cables are not perfect conductors and offer resistance to current flow, the magnitude of resistance[†] depends on conductors resistivity, which changes with temperature, cross sectional area[‡] and length. If the voltage were to be measured at both ends of a length of wire it would be found they are different, this is known as volts drop. Volts drop changes with current flow and can be calculated using Ohm's law, it should be noted that volts drop occurs in both positive and negative conductors. The effects of volts drop can be reduced by increasing the conductors cross sectional area, this does not however eliminate the effects due to temperature variation. There are instances where large cross-section cables are not practical; for example most standard industrial connectors of the type used for sensors have a maximum conductor capacity of 0.75mm², copper prices and ease of installation are other considerations.

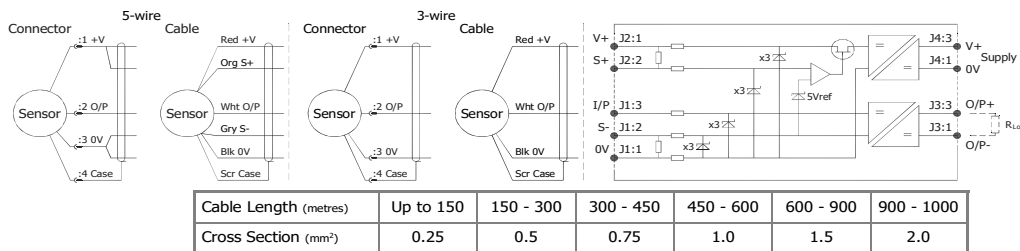
This is important because the effects of volts drop can significantly alter the perceived accuracy of the sensor which is ratiometric i.e. the output signal is directly affected by the voltage across the sensor. Changes in temperature will also be seen as gain variation in the sensor output.

Three wire mode connections are common and are suitable in most cases with short or moderate cable runs. Applications that do not require a high degree of accuracy but have cable runs, say in excess of 10m, volts drop can be reduced by introducing a terminal box close to the sensor and using a larger cross-section cable for a majority of the cable run. Sensors supplied with three core cable are calibrated with the cable fitted which largely eliminates errors due to conductor resistance at room temperature however, as mentioned above, small gain errors due to temperature fluctuations should be expected.

Five wire mode connections have significant benefits as losses in the positive and negative conductors are compensated for by the galvanic isolation amplifier which can 'sense' the voltage across the sensor and dynamically adjust the output voltage so that the voltage across the sensor is correct. The effects of cable resistance and associated temperature coefficients are eliminated allowing for smaller conductors than a three wire connection for the same cable run. The amplifier can compensate for up to 15Ω per conductor with a current flow of 15mA, which is more than adequate for 150m of 0.25 mm² cable, longer lengths will require larger conductors.

For this reason Positek® recommends five wire connections for cable lengths exceeding 10 metres in 0.25 mm² cable to preserve the full accuracy of the sensor.

See illustrations below for examples of connecting a sensor to the galvanic isolation amplifier.



The table above shows recommended conductor sizes with respect to cable length for both three and five wire connections, based on copper conductors. Three wire connections will introduce a gain reduction of 5% and a ±1% temperature dependence of gain over the range -40°C to +80°C for the cable temperature. (i.e. about -150 ppm/°C for the maximum lengths shown and less pro rata for shorter lengths.)

It should be noted that the maximum cable length, as specified in the sensor certification, takes **precedence** and **must not** be exceeded.

Positek® sensors are supplied with three core 0.25 mm² cable as standard, however five core 0.25 mm² cable can be supplied on request. The galvanic isolation amplifier is available as;

- G005-*** for 'G' and 'H' prefix sensors
- X005-*** for 'E', 'M' and 'X' prefix sensors

[†] $R = \rho L/A$ ρ is the resistivity of the conductor (Ωm) L is the length of conductor (m) A is the conductor cross-sectional area (m²).

[‡] It is presumed that direct current flow is uniform across the cross-section of the wire, the galvanic isolation amplifier and sensor are a dc system.

Intrinsically Safe - Gas/Vapour Atmospheres
TIPS® SERIES X603 Large Angle Tilt Sensor

	a	b	c	d	e
X603	Displacement	A	Y	J	Z-code

a	Displacement (degrees)		Value
	Displacement in degrees	e.g. 0 - 54 degrees	54
b	Output		
	Supply V dc V _s (tolerance)	Output	Code
	+5V (4.5 - 5.5V)	0.5 - 4.5V (ratiometric with supply)	A
c	Calibration Adjustments		Code
	Sealed		Y
d	Connections		Code
	Connector	IP67 M12 IEC 60947-5-2	J
e	Z-code		Code
	Calibration to suit X005 - Default		Z000
	Connector with cable option 'J' or 'JQ' with length required in cm i.e. J500 specifies connector with 500cm of cable.		Z999

Note!

All Intrinsically Safe (IS) sensors must have a Z-code suffix.
IS sensors must be used in conjunction with a Galvanic Isolation Amplifier - See X005 for Output options.



Installation Information

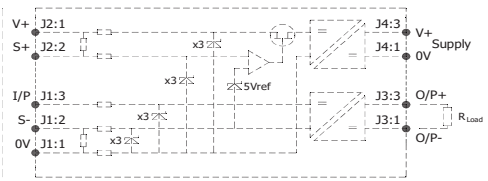
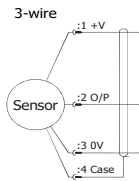
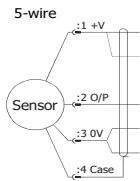
RIPS® X603 LARGE ANGLE TILT SENSOR

INTRINSICALLY SAFE FOR HAZARDOUS GAS/VAPOUR ATMOSPHERES

For certificate number and safety parameters information for product marked EX04, see next page.

ATEX /IECEx Qualified to Intrinsic Safety Standard Certificate numbers SIRA 13ATEX2371X IECEx SIR 13.0154X		Ex II 1G Ex ia IIC T4 Ga (Ta = -40°C to +80°C)	
Electronics Version	Output Description:	Supply Voltage: V_s (tolerance)	Load resistance:
EX07	0.5 - 4.5V (ratiometric with supply) [Output code 'A']	+5V (4.5 - 5.5V)	5kΩ min

Connector Pin Layout:
IEC 60947-5-2



Putting Into Service: The sensor must be used with a galvanic isolation barrier designed to supply the sensor with a nominal 5V and to transmit the sensor output to a safe area. The barrier parameters must not exceed:-

U_i = 11.4V **I_i = 0.20A** **P_i = 0.51W**
C_i = 1.16μF **L_i = 50μH**

The sensor is certified to be used with up to **1000m** of cable, cable characteristics must not exceed:-
 Capacitance: ≤ 200 pF/m for max. total of: 200 nF
 Inductance: ≤ 810 nH/m for max. total of: 810 μH

Approval only applies to specified ambient temperature range and atmospheric conditions in the range: 0.80 to 1.10 Bar, oxygen ≤ 21%.

The performance of the sensor may be affected by voltage drops associated with long cable lengths; For cable lengths exceeding 10 metres a five wire connection is recommended to eliminate errors introduced by cable resistance and associated temperature coefficients.

Warning - The M12 IEC 60947 connector may be rotated for purposes of convenient orientation of the connector and cable, however rotating the connector more than one complete revolution is not recommended.
Repeated rotation of the connector will damage the internal wiring!

Special Condition for Safe Use:

The apparatus does not meet the 500 V r.m.s dielectric strength test between circuit and frame, in accordance with clause 6.3.13 of IEC 60079-11:2011. This must be taken into consideration on installation.

When using a Sensor that has an integral cable in a dust application, the free end of the cable shall be appropriately terminated for the zone of use.

Under certain extreme circumstances, the non-metallic and isolated metal parts incorporated in the enclosure of this equipment may generate an ignition-capable level of electrostatic charge. Therefore the equipment shall not be installed in a location where the external conditions are conducive to the build-up of electrostatic charge on such surfaces. This is particularly important if the equipment is installed in a zone 0 location. In addition, the equipment shall only be cleaned with a damp cloth.

Use: The sensor is designed to measure angular displacement and provide an analogue output signal.

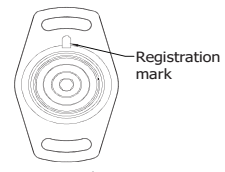
Assembly and Dismantling: The unit is not to be serviced or dismantled and re-assembled by the user.

Maintenance: No maintenance is required. Any cleaning must be done with a damp cloth.

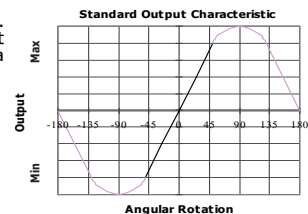
Mechanical Mounting: Flange mounted; flange slots are 4.5 mm by 30 degrees wide on a 48 mm pitch. The mid point of the calibrated range is set with the flange slots in the vertical plane, mechanical mid point adjustment is achieved by rotating the sensor in the flange slots. Note: the sensor should be mounted on a vertical face.

Output Characteristic: The sensor has full rotational freedom and two sectors, 180° apart, over which linear response can be achieved. At the mid point of the calibrated range the output signal will be half full scale deflection, and the mounting flanges will be vertical. In the calibrated range the output increases as the sensor is rotated in an anti-clockwise direction viewed from the flange face- see drawing above. The calibrated output is factory set to be between 15° and 160°.

Incorrect Connection Protection levels: Not protected – the sensor is **not** protected against either reverse polarity or over-voltage. The risk of damage should be minimal where the supply current is limited to less than 50mA.



Direction of increasing output in calibrated sector





Installation Information
RIPS® X603 LARGE ANGLE TILT SENSOR
INTRINSICALLY SAFE FOR HAZARDOUS GAS/VAPOUR ATMOSPHERES

For certificate number and safety parameters information for product marked EX07, see previous page.

ATEX Qualified to Intrinsic Safety Standard Certificate numbers SIRA 00ATEX2076X		Ex II 1G EEx ia IIC T4 (Ta = -40°C to +80°C)	
Electronics Version	Output Description:	Supply Voltage: Vs (tolerance)	Load resistance:
EX04	0.5 - 4.5V (ratiometric with supply) [Output code 'A']	+5V (4.5 - 5.5V)	5kΩ min

The barrier parameters must not exceed:-

Ui = 11.4V **Ii = 0.20A** **Pi = 0.51W**
Ci = 1.16µF **Li = 50µH**

The sensor is certified to be used with up to **1000m** of cable, cable characteristics must not exceed:-

Capacitance: ≤ 200 pF/m for max. total of: 200 nF

Inductance: ≤ 660 nH/m for max. total of: 660 µH

With the exception of the certificate number and safety parameters above, all other notes regarding Putting Into Service, Use, Assembly and Dismantling etc. on previous page apply to sensors marked EX04 or EX07.

N.b. CONNECTOR ORIENTATION NOT GUARANEED.

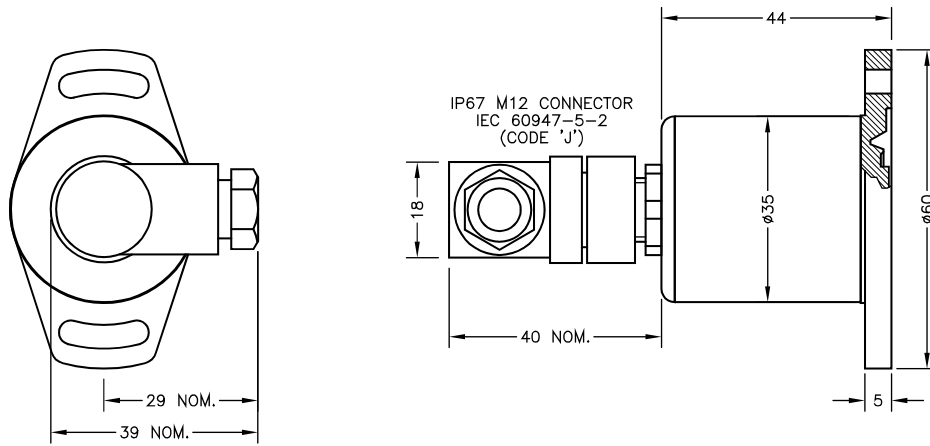
ELECTRICAL OPTIONS/ SPECIFICATIONS

OUTPUT SUPPLY
 0.5 TO 4.5V RATIOMETRIC 5V
 SUPPLY CURRENT 12mA TYP. 20mA MAX.

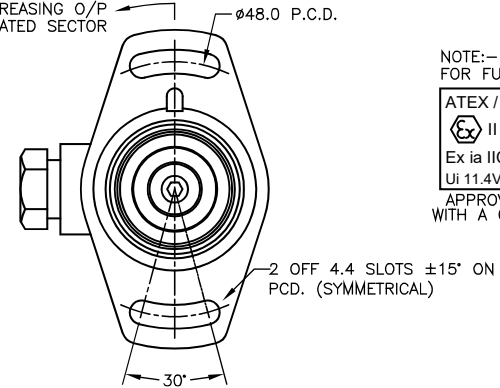
CONNECTOR (MAXIMUM CONDUCTOR CROSS SECTION 0.75mm²)
 :1 +Ve
 :2 OUTPUT
 :3 0V
 :4 BODY

RANGE OF DISPLACEMENT FROM 0-15° TO 0-160° e.g.76°,
 IN INCREMENTS OF 1°.


BODY MATERIAL:- STAINLESS STEEL.
 FLANGE BASE MATERIAL:- STAINLESS STEEL.



MID TRAVEL, ±5°, WITH REFERENCE MARK IN BASE
 IN VERTICAL POSITION.
 INCREASING O/P
 CALIBRATED SECTOR



NOTE:- READ INSTALLATION SHEET X603-19
 FOR FULL INSTRUCTIONS FOR USE.

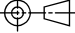
ATEX / IECEx APPROVED TO
 II 1G
 Ex ia IIC T4 Ga (Ta= -40° to +80°C)
 Ui 11.4V, Ii 0.2A, Pi 0.51W
 APPROVED FOR USE IN CONJUNCTION
 WITH A GALVANICALLY ISOLATED BARRIER.

H	APPROVAL STANDARDS UPDATED - RAN465.
	REGISTRATION MARK CORRECTED RAN490. PDM
J	RANGE NOTE AMENDED ~ RAN1200 PDM



DRAWINGS NOT TO BE CHANGED WITHOUT REFERENCE TO THE CHANGE PROCEDURE.
 CHANGES TO PARTS USED IN INTRINSICALLY SAFE PRODUCT MUST BE APPROVED
 BY THE AUTHORISED PERSON
 THIS IS AN UNCONTROLLED PRINT AND WILL NOT BE UPDATED.



H	14/0414		CHECKED BY	X	±0.4
J	13/09/17		RDS	X.X	±0.2
				X.XX	±0.1
				DIMS	mm
		DESCRIPTION			
		X603 INTRINSICALLY SAFE			
		LARGE ANGLE TILT SENSOR			
		SCALE			
		10mm			
		DRAWING NUMBER X603-11 REV J			
		SHEET 1 OF 1			