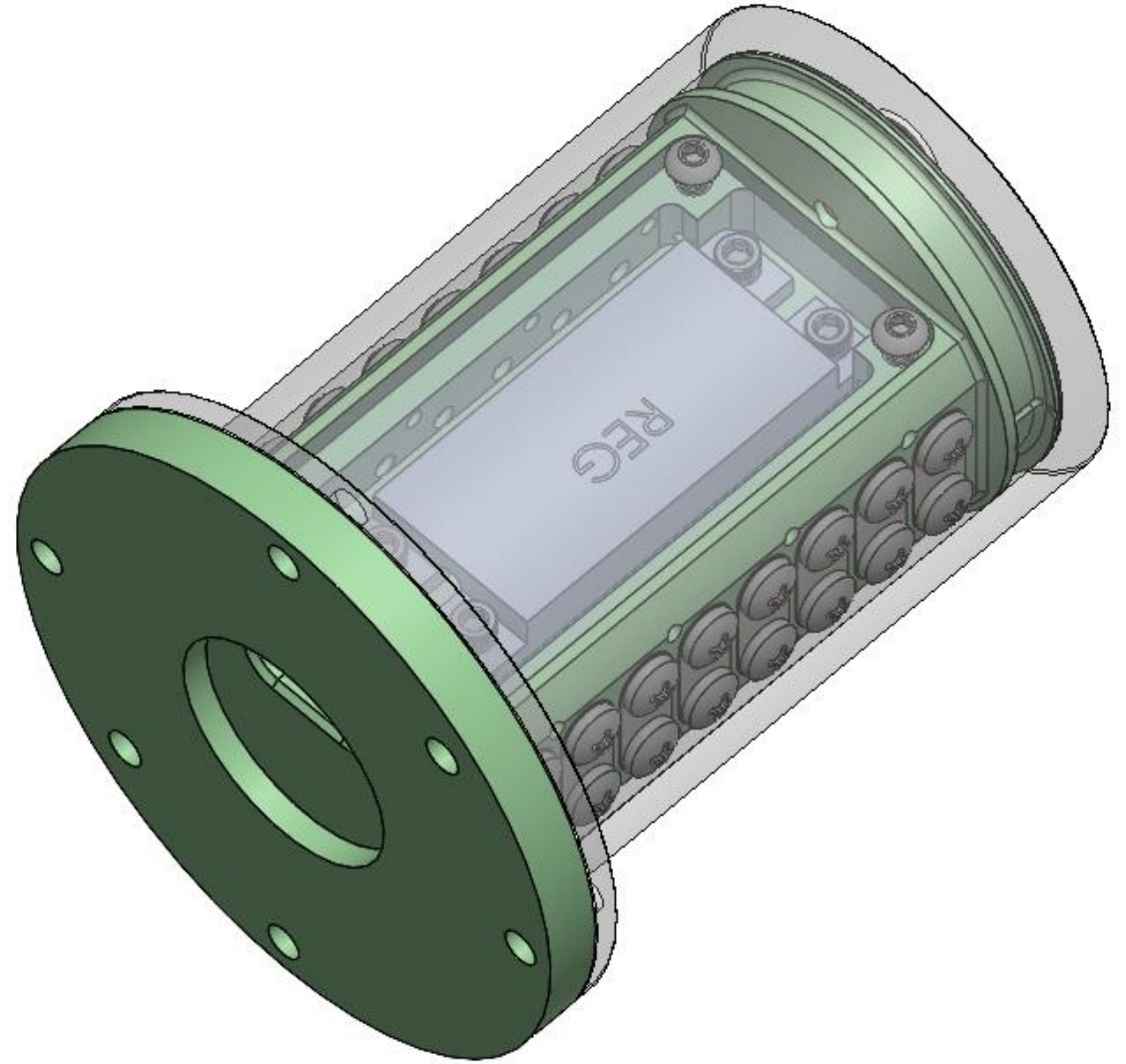


8 Channel High Speed End of Shaft Telemetry System

System Overview

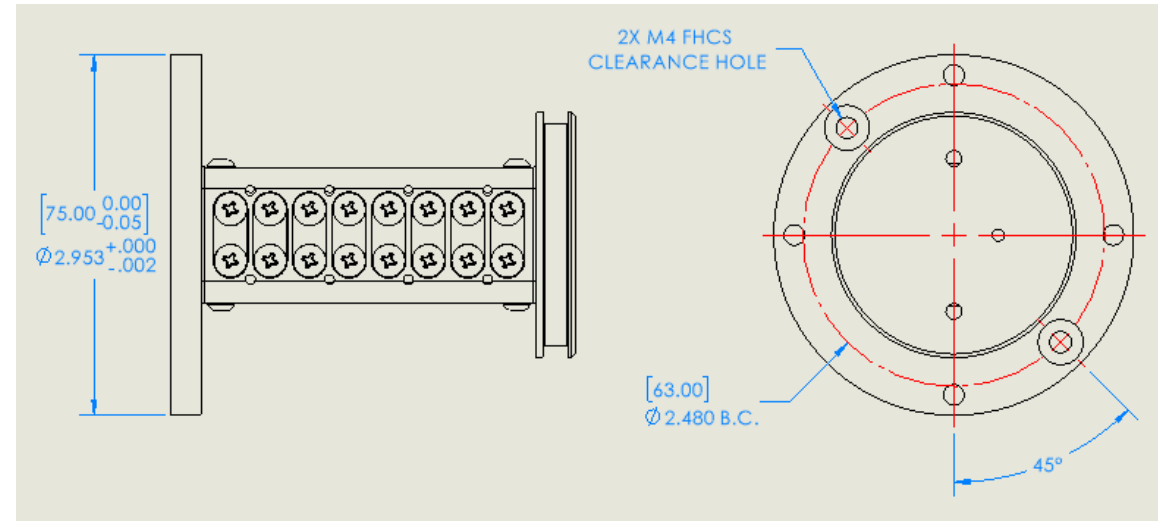
Michigan Scientific Corporation



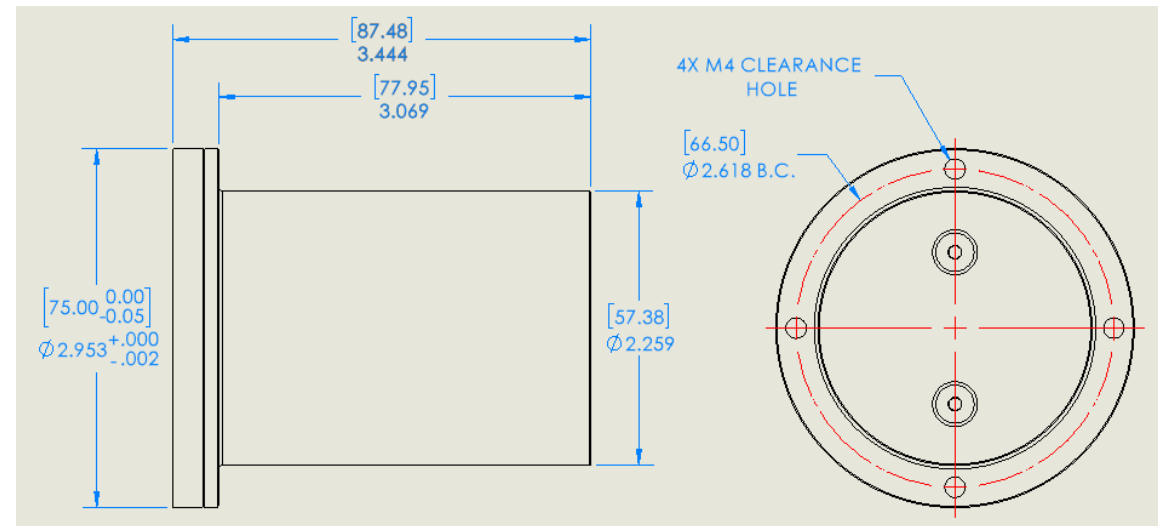
Packaging and Mounting

- Base OD: 75mm
- Overall Length: 87.5mm
- Base mounts to shaft with two M4 FHCS.
- Cover mounts over base and is secured to the shaft with four M4 BHCS and to the base with 2 FHCS.

Base Mounting



Cover Mounting



Wire Routing

- Remove four M3 BHCS and cover.
- Route shaft thermocouple through base slot into wiring compartment.
- Mount telemetry base on the shaft using two M4 FHCS.
- Route thermocouple wires along side the induction regulator (four channels each side) to available through hole (one channel each hole)
- Connect thermocouple wires to the available terminals on either side of the hole.
- Extra wire length can be kept in the wiring compartment.
- It is suggested to secure wires to limit movement during operation.

