

ASC 281 | ASC 283

Uniaxial, Triaxial
 MEMS Vibrating Ring
 Measurement Range: ± 10 to ± 400 °/s
 Bias Stability: 0.03 to 0.10 °/hr
 Angular Random Walk: 0.005 to 0.010 °/√hr
 Aluminum Housing
Made in Germany



Tactical Grade Gyroscopes

The key components in tactical grade gyroscopes are high-quality micro-electro-mechanical systems (MEMS) that feature excellent long-term stability and reliability. The design of the micro-mechanical silicon structures makes the gyroscopes extremely insensitive to external impacts and vibrations. They are therefore ideal suited for use in harsh environmental conditions. Due to their very high performance, the gyroscopes fulfill the requirements of tactical grade applications with respect to the maximum achievable precision, which otherwise can be achieved only with fiber optic gyroscopes (FOG).

Description

The gyroscopes of types ASC 281 and ASC 283 are based on proven MEMS vibrating ring sensor elements. The integrated electronic circuitry enables a very low noise quasi-differential analog voltage output (± 2.0 V FSO) and flexible power supply voltage from 8 to 30 VDC. The tactical grade gyroscopes are available in different measurement ranges (10 °/s to 400 °/s) and providing an outstanding bias stability of <0.1 °/hr and an excellent angular random walk of <0.01 °/√hr.

The uniaxial gyroscopes ASC 281 and triaxial gyroscopes ASC 283 feature a lightweight, reliable aluminum housing with protection class IP65 and a detachable cable with configurable length and connectors.

The excellent bias stability of these gyroscopes allows their use in applications such as gyro compassing, attitude heading reference systems AHRS or for orientation of underwater ROVs (remotely operated vehicles). Furthermore, as component of inertial systems the gyroscopes enable high-precision position measurements and bridging navigation in numerous areas of application, such as automated guided vehicles, ship guidance and control, robots, rail vehicles or aircraft systems.

Features

- Tactical Grade Gyroscope, FOG-like Performance
- Very Low Noise Differential Voltage Output
- Outstanding Bias Stability and Angular Random Walk
- High Shock and Vibration Resistance
- Temperature Output

Options

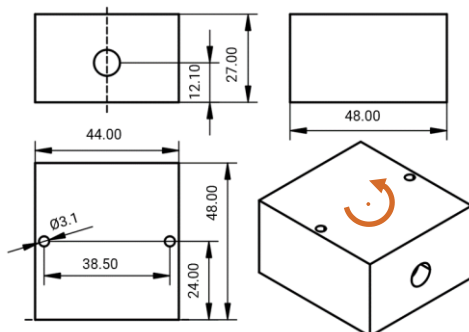
- Customized Cable Length
- Customized Connector

Applications

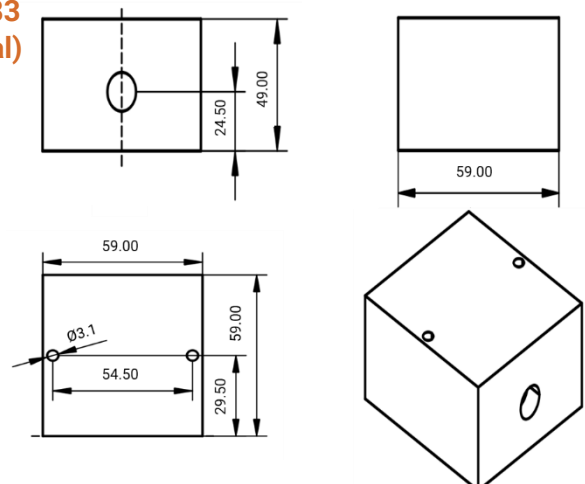
- Gyro-Compassing, Ship Guidance and Control
- AHRS, Flight Instruments
- Mid-term Bridging Navigation

More applications on our markets
www.pm-instrumentation.com

ASC 281 (Uniaxial)



ASC 283 (Triaxial)



Typical Specification

Dynamic

Measurement Range	°/s	±10	±25	±100	±200	±400
Scale Factor (sensitivity)	mV/°/s	200	80	20	10	5
Rate Noise Density	°/s/√Hz	0.007	0.007	0.012	0.012	0.012
Bandwidth	Hz	50	50	100	100	100
Amplitude Non-Linearity	% FSO	0.02 (typ) 0.05 (max)				
Bias Stability	°/hr	0.03	0.04	0.04	0.05	0.10
Angular Random Walk	°/√hr	0.005	0.006	0.006	0.008	0.010

Electrical

Power Supply Voltage	V	8 to 30				
Operating Current Consumption	mA	ASC 281: <40 ASC 283: <120				
Offset (bias) referred to Reference Output Voltage	mV	±10				
Isolation		Case Isolated				

Environmental

Scale Factor Error over Temperature Range	%	±0.15 (typ) ±0.50 (max)		±0.30 (typ) ±0.50 (max)		
Offset (bias) Error over Temperature Range	°/s	±0.10 (typ) ±0.20 (max)		±0.15 (typ) ±0.25 (max)		
Operating Temperature Range	°C	-40 to +85				
Storage Temperature Range	°C	-40 to +100				
Shock Limit (1 ms, powered)	g	1000				
Vibration induced Noise	°/s/g ²	0.01				
Vibration Rectification Error	°/s/g ²	0.002				
g-Sensitivity	°/s/g	0.02				
Protection Class		IP65				

Physical

Sensing Element	MEMS Vibrating Ring					
Case Material	Anodized Aluminum					
Connector Sensor Housing	ASC 281: 7-pin Comtronic (male) ASC 283: 12-pin Comtronic (male)					
Connector at Cable End	Optional					
Mounting	Adhesive / Screw Holes					
Weight (without cable)	gram	ASC 281: 80 ASC 283: 250				
Cable for uniaxial ASC 281	13 gram per meter AWG 30 Polyurethane (PUR) Diameter 3.0 mm					
Cable for triaxial ASC 283	30 gram per meter AWG 30 Polyurethane (PUR) Diameter 4.5 mm					

ASC 281: Sensor Calibration

Factory Calibration (supplied with the sensor)

Part Number		#14288	#14288	#14288	#14288	#14288
Measurement Range (sensor)	°/s	10	25	100	200	400
Applied Frequency (min)	Hz	1	1	1	1	1
Applied Frequency (max)	Hz	50	50	100	100	100
Input Amplitude	°/s	5	12.5	50	100	200
Reference Frequency for Determination of Scale Factor	Hz	16	16	16	16	16

Calibration according DIN ISO 17025 (order separately)

Part Number		#16174	#16174	#16174	#16174	#16174
Measurement Range (sensor)	°/s	10	25	100	200	400
Applied Frequency (min)	Hz	1	1	1	1	1
Applied Frequency (max)	Hz	50	50	100	100	100
Input Amplitude	°/s	5	12.5	50	100	200
Reference Frequency for Determination of Scale Factor	Hz	16	16	16	16	16

ASC 283: Sensor Calibration

Factory Calibration (supplied with the sensor)

Part Number		#14289	#14289	#14289	#14289	#14289
Measurement Range (sensor)	°/s	10	25	100	200	400
Applied Frequency (min)	Hz	1	1	1	1	1
Applied Frequency (max)	Hz	50	50	100	100	100
Input Amplitude	°/s	5	12.5	50	100	200
Reference Frequency for Determination of Scale Factor	Hz	16	16	16	16	16

Calibration according DIN ISO 17025 (order separately)

Part Number		#16175	#16175	#16175	#16175	#16175
Measurement Range (sensor)	°/s	10	25	100	200	400
Applied Frequency (min)	Hz	1	1	1	1	1
Applied Frequency (max)	Hz	50	50	100	100	100
Input Amplitude	°/s	5	12.5	50	100	200
Reference Frequency for Determination of Scale Factor	Hz	16	16	16	16	16

Please note: If any other calibration procedure is required, don't hesitate to contact us. Furthermore, sensors have to be calibrated regularly to ensure accurate and precise results. Our services include both factory calibration and calibration in accordance with DAKKS guidelines. On request we will be glad to remind you of the next scheduled calibration of your sensors.

ASC 281: Cable Code / Pin Configuration

7-Pin Sensor Connector (male)		Color Code ASC AK-281	Description
2	Supply +	Red	Power: supply voltage +8 to +30 VDC
1	Supply -	Black	Power: GND
3	Signal +	Green	Positive, analog output voltage signal (+0.4 V to +4.4 V)
4	Ref. Signal	White	Reference analog output voltage signal for quasi-differential mode (+2.4 V)
5	Temp	Yellow	Analog output voltage temperature sensor (measured with respect to Ref. Signal)
6	nc	---	Not connected
7	nc	---	Not connected

ASC 283: Cable Code / Pin Configuration including common Power Supply for all Axes

12-Pin Sensor Connector (male)		Color Code ASC AK-283	Description
2	Supply +	Red	Power: supply voltage +8 to +30 VDC
1	Supply -	Black	Power: GND
11	Signal +	Green	Z-Axis: positive, analog output voltage signal (+0.4 V to +4.4 V)
12	Ref. Signal	White	Z-Axis: reference analog output voltage signal for quasi-differential mode (+2.4 V)
5	Temp	Black/Violet	Z-Axis: analog output voltage temperature sensor
8	Signal +	Green/Grey	Y-Axis: positive, analog output voltage signal (+0.4 V to +4.4 V)
10	Ref. Signal	White/Grey	Y-Axis: reference analog output voltage signal for quasi-differential mode (+2.4 V)
4	Temp	Red/Grey	Y-Axis: analog output voltage temperature sensor
6	Signal +	Green/Violet	X-Axis: positive, analog output voltage signal (+0.4 V to +4.4 V)
7	Ref. Signal	White/Violet	X-Axis: reference analog output voltage signal for quasi-differential mode (+2.4 V)
3	Temp	Red/Violet	X-Axis: analog output voltage temperature sensor
9	nc	---	---

ASC 283: Cable Configuration for detachable Connector Cable (see accessories)

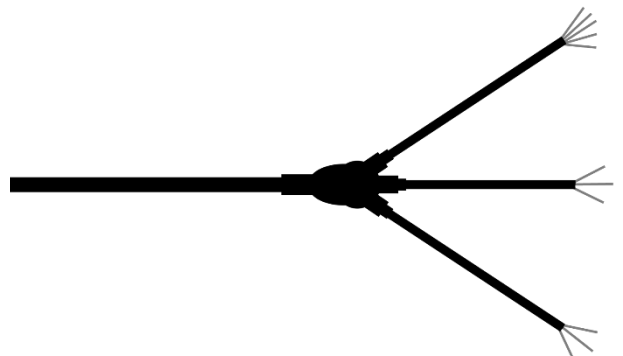
11 Wire System - 11L (Triaxial)

Common power supply for all axes, no cable switch



11 Wire System - 11L3 (Triaxial)

Common power supply for all axes, including cable switch



Ordering Information

All types of the tactical grade gyroscopes ASC 281 and ASC 283 are fabricated for operating with a detachable cable including configurable length and connectors at the cable end. For connecting the sensor housing of the uniaxial ASC 281, a 7-pin Comtronic connector (female) is used and already assembled while the triaxial ASC 283 features a 12-pin Comtronic connector (female) which used and also already assembled.

Series	Model	- Range [g]	- Cable Length [m]	Connector & Pinout
ASC 28	1 (uniaxial)	010	6	A
		025		
		100		
		200		
		400		

Example:

ASC 281-010-6A

Series	Model	- Range [g]	- Cable Length [m]	Connector & Pinout	- Cable Configuration
ASC 28	3 (triaxial)	010	6	A	11L
		025			11L3
		100			
		200			
		400			

Example:

ASC 283-010-6A-11L

Ordering information are based on standard configurations. All customized versions regarding connector and/or pinout will lead to a change or extension of the corresponding product match code:

- Standard length of the detachable cable is 6 meters. However, different customized cable lengths are possible on request.
- Standard version has no connector at the cable end which is identified by "A" in the product match code. However, it is possible to assemble almost all connector types during production.
- Different cable configurations are only available for the triaxial gyroscope ASC 283.

Safety Precaution for Installing and Operating

This data sheet is a part of the product. Read the data sheet carefully before using the product and keep it available for future operation. Handling, electrical connections, mounting or any other work performed at the sensor must be carried out by authorized experts only. Appropriate safety precautions must be taken to exclude any risk of personal injury and damage to operating equipment as a result of a sensor malfunction.

Handling

The sensor is packaged in a reliable housing to protect the sensing elements and integrated electronic components from the ambient environment. However, poor handling of the product can lead to damages that may not be visible and cause electrical failure or reliability issues. Handle the component with caution:

- Avoid shocks and impacts on the housing, such as dropping the sensor on hard surface
- Never move the sensor by pulling the cable
- Make sure that the sensor is used within the specified environmental conditions
- Transport and store the sensor in its original or similar packaging
- The sensor should be mounted on a stable flat surface with all screws tightened or other mounting options
- When adhesives are used to mount the sensors, please select the corresponding products according to permanent or removable mounting, ambient temperature range as well as quality of the mounting surface
- Avoid any deformation during mounting the sensor
- Mounting tolerances may have an influence on the measured result

Electrical

ASC's inertial sensors are working with many established data acquisition systems. However, make sure that a proper DAQ is used, for the corresponding operation principle of the sensor. Furthermore, suitable precautions shall be employed during all phases of shipment, handling and operating:

- Active sensor pins are susceptible to damage due to electrostatic discharge (ESD)
- Make sure that the sensor is used within the specified electrical conditions
- Check all electrical connections prior to initial setup of the sensor
- Completely shield the sensor and connecting cable
- Do not perform any electrical modifications at the sensor
- Do not perform any adaptations on the wiring or connectors while the device under power
- Never plug or unplug the electrical connection while the sensor is under power
- When a certain pin is not used during operation, make sure that the pin is insulated

Quality

- We have a quality management system according to ISO 9001:2015.
- The Deutsche Akkreditierungsstelle GmbH (DAkkS) has awarded to our calibration laboratory the DIN EN ISO/IEC 17025:2018 accreditation for calibrations and has confirmed our competence to perform calibrations in the field of mechanical acceleration measurements. The registration number of the certificate is **D-K-18110-01-00**.
- All ASC products are **CE**-compliant.

Made in Germany



analyzing



monitoring



testing



measuring