



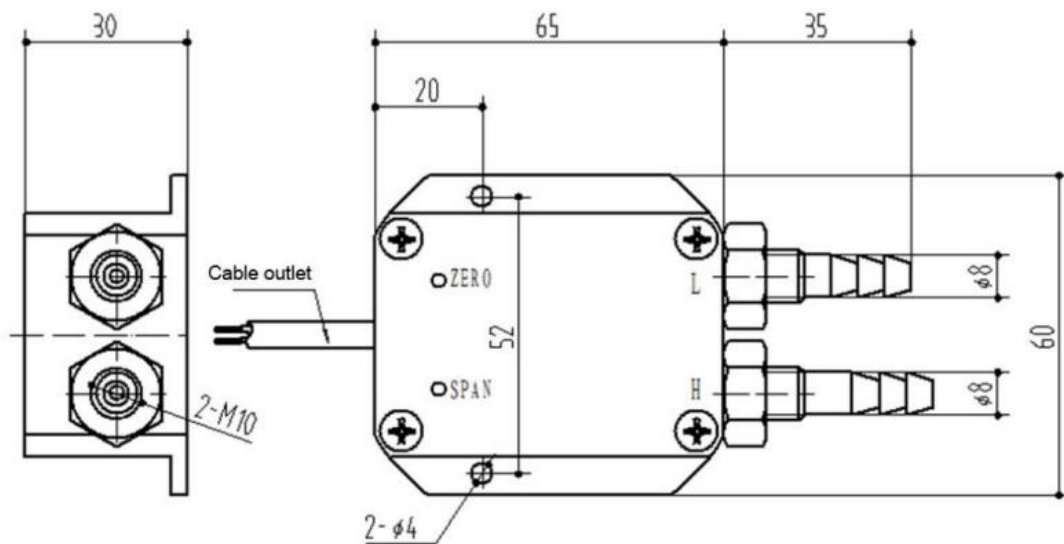
- $\phi 8$ agnail connection, easy to install
- Measuring tiny gas differential pressure value
- Firm and well-sealed aluminium alloy housing
- The zero point and full span of the product can be adjusted externally
- With the short circuit protection and reverse polarity protection
- Full range compensation for zero and sensitivity temperature
- Strong anti-interference capacity, stability performance

BFT10-110 Differential Pressure Transmitter is assembled by OEM piezoresistive silicon differential pressure sensor, and the housing is the aluminium alloy structure; the pressure connection is M10 thread & agnail structure, and can be directly installed on the measuring piping or connected through the press-leading tube; it is easy to install and use, and widely applies in the air supply for boiler, underground ventilation and other electricity and mining industries, as well as the process control field of automated pressure detection for the super clean workshop.

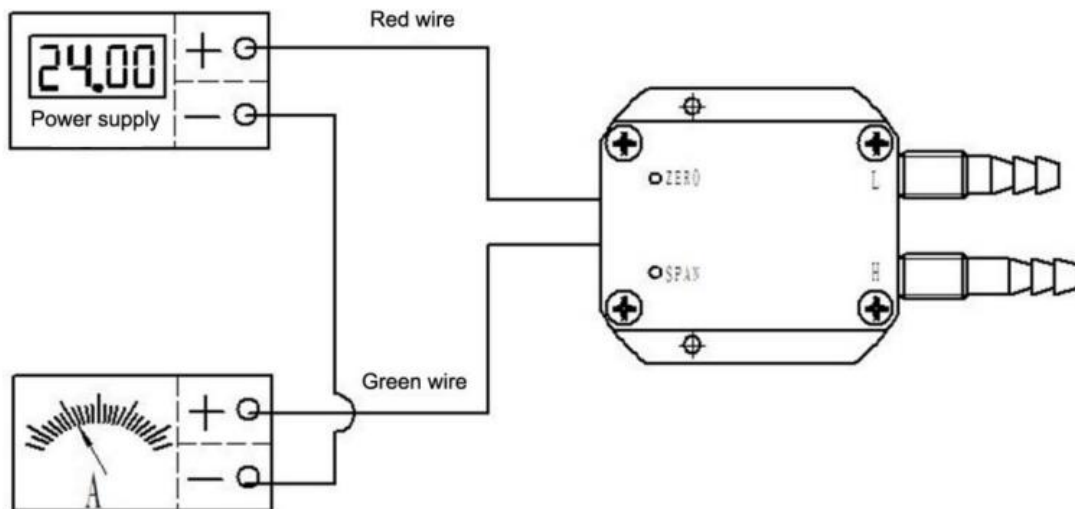
TECHNICAL FEATURES

Pressure range	0~0,0025bar...0,001bar...1bar
Pressure reference	Differential pressure
Supply & output	4~20mA (16~36V)
Operating temp.	-10°C ... +60°C
Medium temp.	-10°C ... +60°C
Storage temp.	-40°C ... +125°C
Zero temp. coefficient	$\pm 2.5\%FS$ (@0°C~50°C)
Sensitivity temp. coefficient	$\pm 3\%FS$ (@0°C~50°C)
Overpressure	200%FS
Mechanical vibration	20G (20~5000Hz)
Shock	100g (11ms)
Comprehensive accuracy	0.001bar, 0.0025bar: $\pm 3\%FS$
	0.005bar, 0.01bar, 0.02bar: $\pm 2\%FS$
	0.05bar, 0.07bar, 0.1bar: $\pm 1.5\%FS$
	0,1bar~1bar: $\pm 0.5\%FS$
Insulation	$\geq 200M\Omega/250VDC$
Response time	$\leq 1ms$ (Up to 90%FS)
Long-term stability	$\pm 0.2\%FS/year$
Protection	IP65
Service life	$\geq 10 \times 10^8$ pressure cycles
Material	Stainless steel or aluminium alloy for Housing
Medium compatibility	All kinds of media compatible with the stainless steel or aluminium alloy

MECHANICAL DIMENSIONS (mm)



CONNECTION



ORDER CODE

Model

BFT10-110

1B

Pressure Range

Different options from 0,001 bar to 1 bar

Output Signal

B1 : 4-20mA

B1

PM Instrumentation, 47 Avenue de l'Europe, 92400 Courbevoie, France

Tel: +33 1 46 91 93 32

Fax: 33 1 46 91 93 39

www.pm-instrumentation.com

contact@pm-instrumentation.com